

YDV

Applications

Secondary filtration in systems for irrigation, safe filtration. The disk filter allows high efficiency and filtration precision. It can be installed in wells, outdoors or on fertigation machines.

Materials

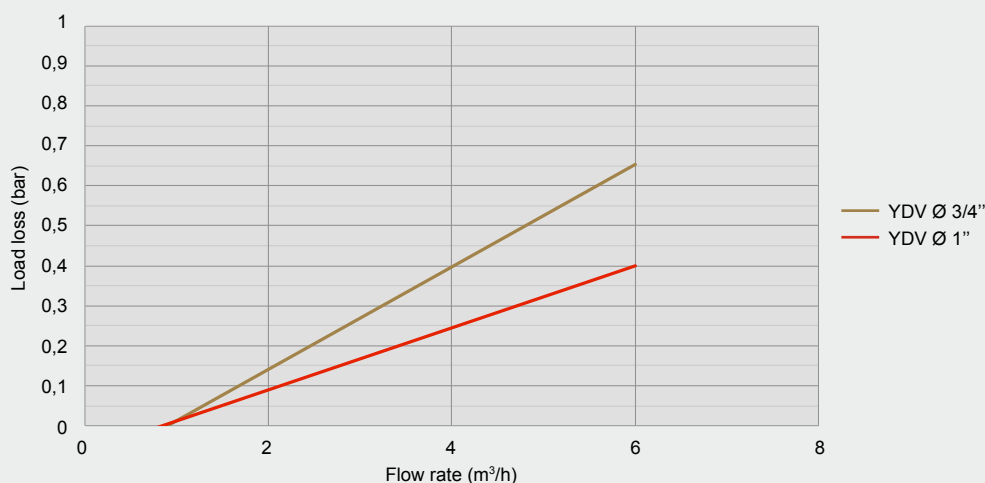
- Body: polypropylene
- Cover: polypropylene
- Filtering element:
 - mesh in stainless steel AISI 304 with polypropylene structure;
 - polyester mesh with polypropylene structure
 - polypropylene disks.
- Gaskets: NBR

Characteristics

- Maximum working pressure: 10 bar at 20° .
- Standard filtration grade: 120 mesh (filtration available: 30, 50, 80, 120, 150, 200 mesh).
- Standard bypass: male threaded [BSP and NPT].
- The filter can be supplied with the cover fitted (no discharge) or punched (with discharge) with threaded cap.
- Resists acids and fertilisers commonly used in agriculture.



Load loss*



*Testing for load loss was carried out with clean water.

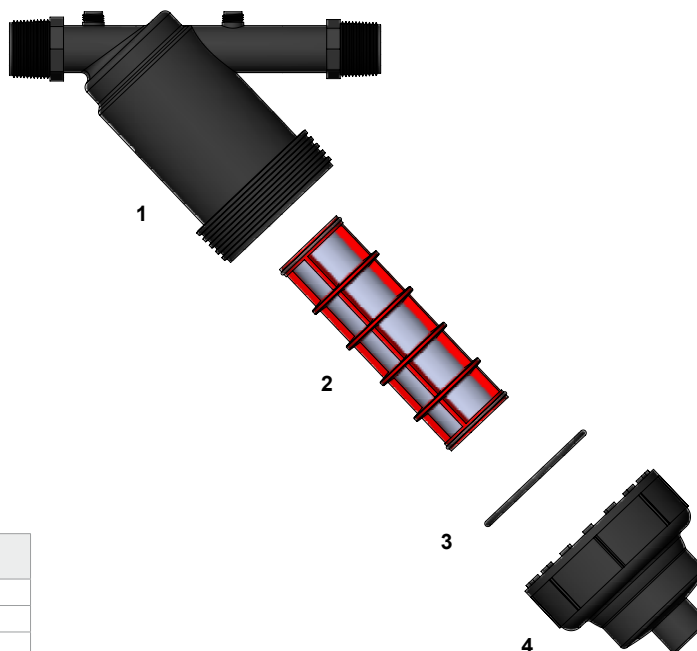
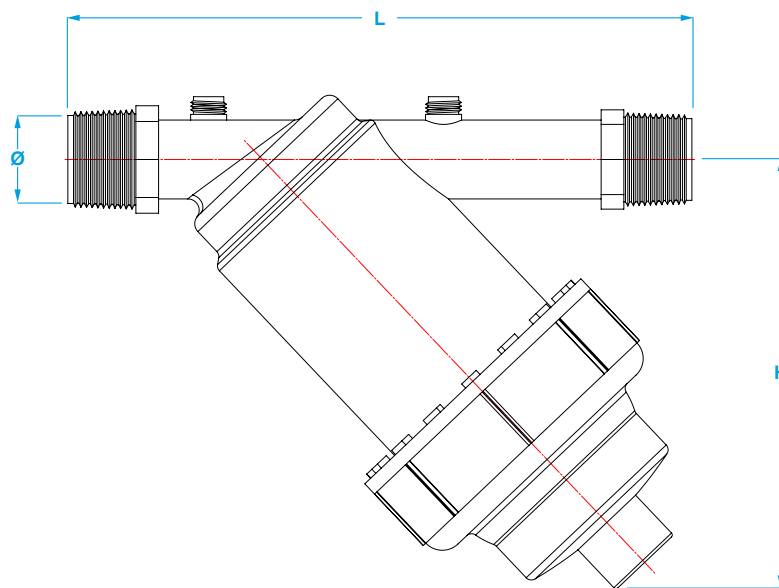
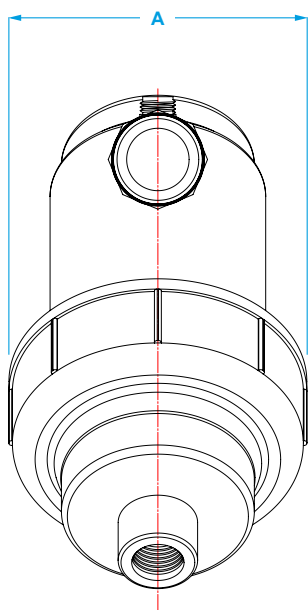
YDV

Technical data

Couplings	Pricelist ref.	Filtering cartridge	Rec. max. flow rate (m ³ /h)	Filtration area (cm ²)
3/4"	IFYDVCIL	s.s.	5	160
	IFYDVCPL	polyester		170
	IFYDVCDL	disk		170
1"	IFYDVDIL	s.s.	5	160
	IFYDVDPL	polyester		170
	IFYDVDDL	disk		170

Dimensions

Ø (inches)	L (mm)	A (mm)	H (mm)	Weight (g)
3/4"	152	84	138	230
				326
1"	152	84	138	230
				326



Components

Number	Description
1	filter body
2	complete filtering cartridge
3	cover gasket
4	cover