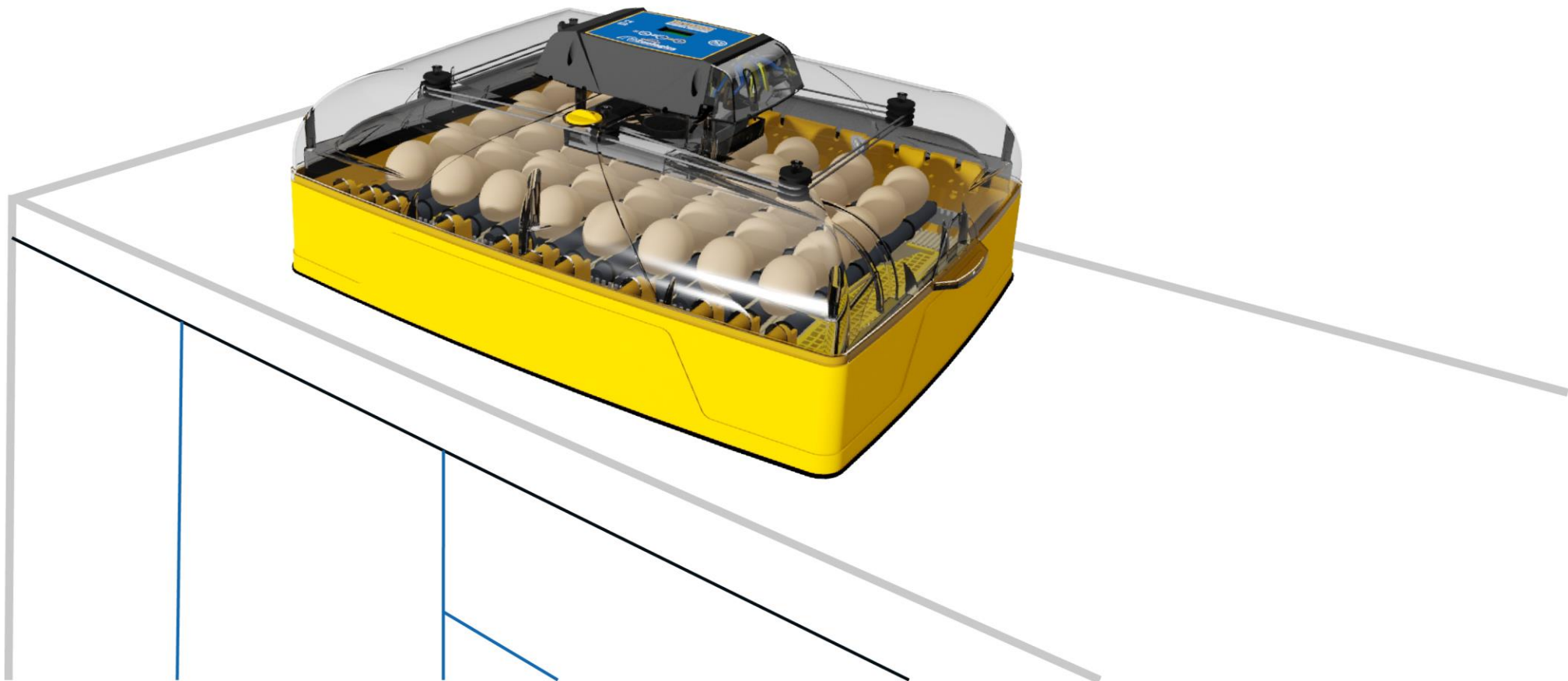


**Ovation 56**  
Egg Incubator



**Brinsea**  
Incubation Specialists

## Operating Manual





**Read the instructions before use!**



**Do not cover!**

**Damaged appliances must not be used.**

**The appliance and its supply cord must be placed in an indoor area not subject to splashes of water or wet conditions and protected from or out of reach of animals.**

**Repairs must be carried out only by a suitably qualified person.**

**This appliance must not be used, cleaned or maintained by children or persons with reduced physical, sensory or mental capabilities or lack of experience and knowledge without supervision. Children must not play with the appliance.**

**Disconnect the incubator from the mains power supply during cleaning. Ensure that all electrical parts are kept dry.**

Please read these instructions carefully before setting up your incubator to achieve best results and keep these instructions safe for future reference.

This document includes recommended procedures for successful hatching but incubation involves the control and manipulation of a large number of factors and in certain circumstances different procedures may be necessary.

For more detailed information on all aspects of egg incubation including helpful advice on getting best results please visit our website at [www.brinsea.co.uk](http://www.brinsea.co.uk).

Your incubator is designed to allow the user to vary the incubation conditions to suit a wide range of species in different ambient conditions and the specific set-up for every situation is beyond the scope of these instructions.

For more information on incubation and hatching please download our FREE Incubation Handbook: [www.brinsea.co.uk/incubationhandbook](http://www.brinsea.co.uk/incubationhandbook), for more species specific advice a range of publications can be found at: [www.brinsea.co.uk/books](http://www.brinsea.co.uk/books).

To register your new Brinsea product please visit [www.brinsea.co.uk](http://www.brinsea.co.uk) within 30 days of purchase and follow the link on the home page to qualify for your free 3 year guarantee. Sign up for the Brinsea Newsletter to receive the latest news and information.

**Record your appliance serial number here:** \_\_\_\_\_

**CONTENTS**

---

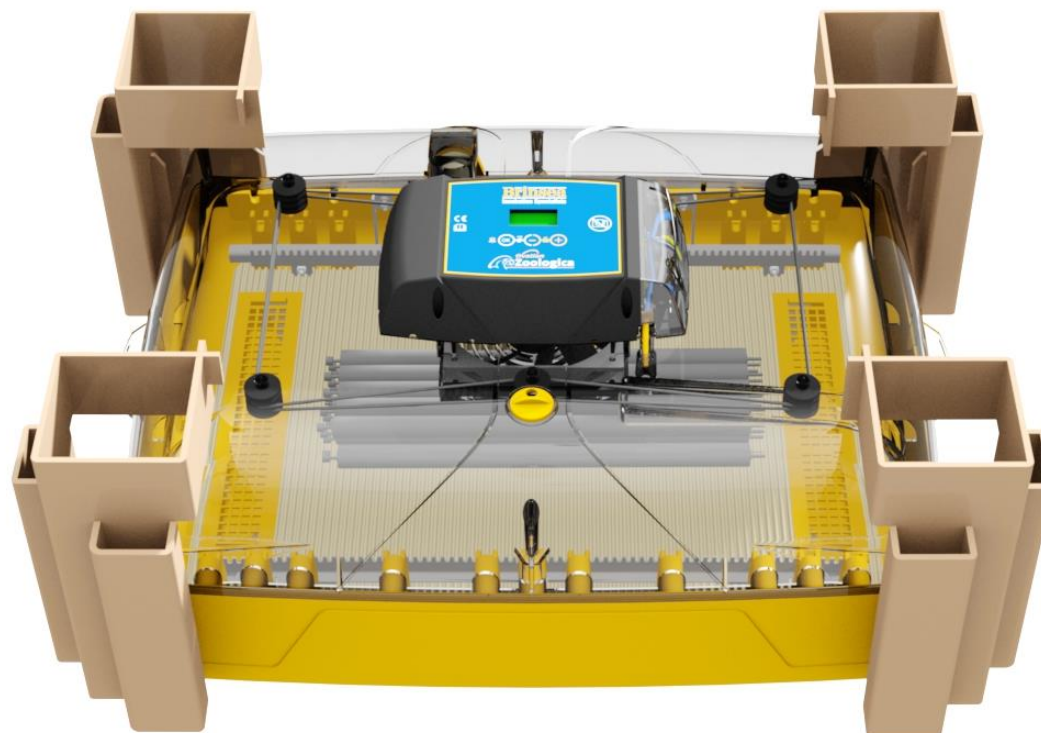
|           |   |    |
|-----------|---|----|
| <b>1</b>  | <b>Setting Up Your Incubator</b>                  | -  |
|           | Unpacking   | 4  |
|           | Part Quantities                                   | 5  |
|           | Assembly  | 6  |
|           | Pump Setup  | 9  |
|           | Location & Installation                           | 11 |
| <b>2</b>  | <b>Product Introduction – Functional Features</b> | 12 |
| <b>3</b>  | <b>Settings – Control Menu</b>                    | 13 |
| <b>4</b>  | <b>Display</b>                                    | 14 |
| <b>5</b>  | <b>Temperature</b>                                | 16 |
| <b>6</b>  | <b>Humidity and Ventilation</b>                   | 17 |
| <b>7</b>  | <b>Eggs</b>                                       | 19 |
| <b>8</b>  | <b>Periodic Incubation Cooling</b>                | 20 |
| <b>9</b>  | <b>Hatching &amp; Cleaning up</b>                 | 21 |
| <b>10</b> | <b>Specifications</b>                             | 23 |

## 1 SETTING UP YOUR INCUBATOR

### UNPACKING

Your incubator has been supplied in protective packaging. Please remove all tape, strapping and packing from the incubator and parts. Retain the carton and packing materials to enable the unit to be repacked.

- 1:** Remove the packaging and lift off the top of the incubator.
- 2:** Un-pack the rollers from the protective packaging.
- 3:** Check that the electrical supply matches the machine's requirements (marked on the technical label inside the clear top).

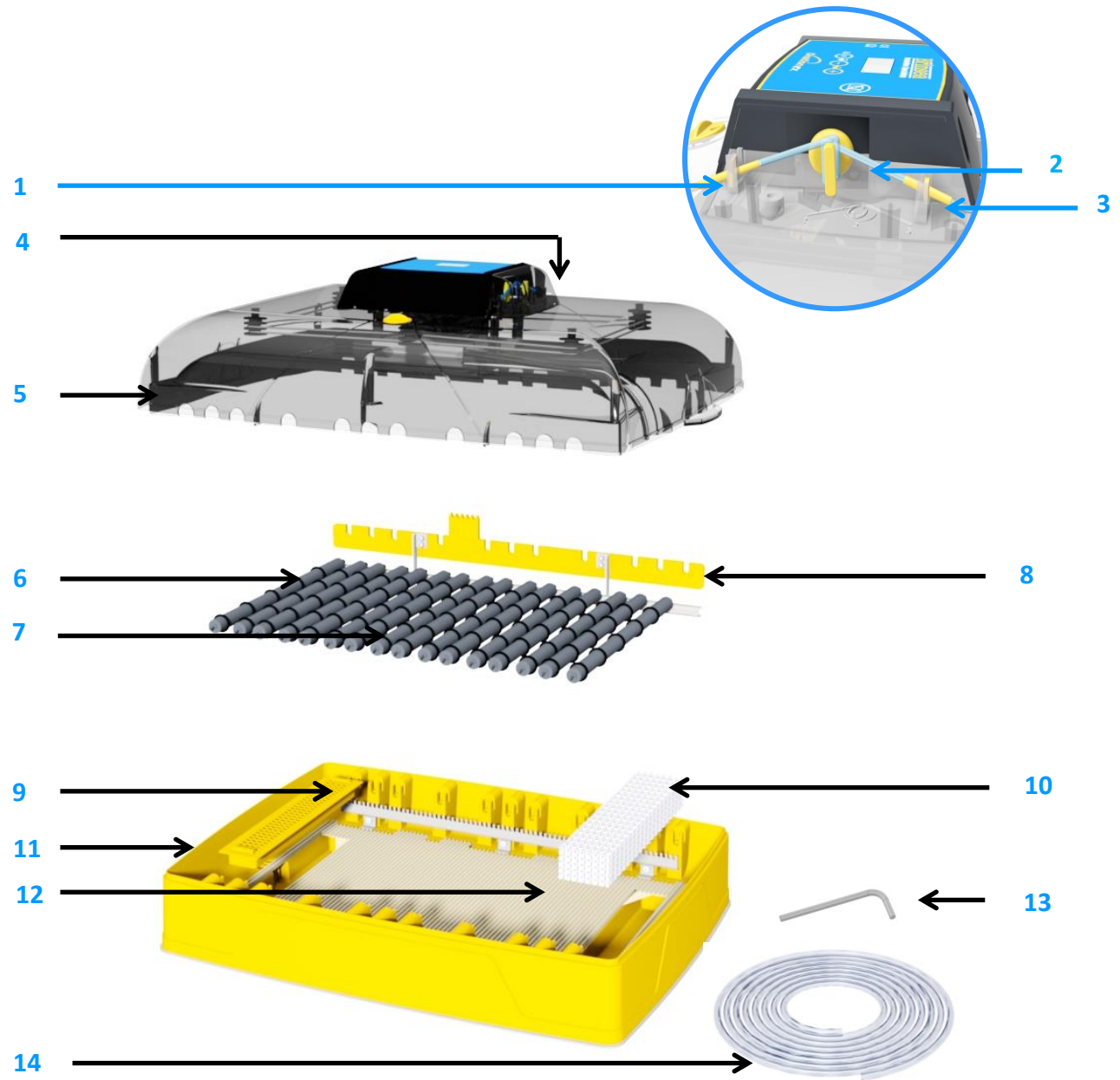


## 1 SETTING UP YOUR INCUBATOR

### PART QUANTITIES

The diagram shows all the parts that have been supplied to you. Ensure you have the correct quantities of each part. If there are any parts damaged or missing please contact your retailer or Brinsea Products (at the address at the end of the document). **Damaged appliances must not be used.**

- 1:** Long Pump Connector
- 2:** Water Pump Tubing (110mm)
- 3:** Short Pump Connector
- 4:** Pump Cover
- 5:** Top
- 6:** Egg Rollers (20) (16 shown in image)
- 7:** O-Rings for spacing eggs (supplied loose) (120)
- 8:** Link Rack
- 9:** Water Pan Covers (2)
- 10:** Water Evaporation Block
- 11:** Base
- 12:** Hatching Mat
- 13:** Allen Key
- 14:** Silicon Water Tubing (3m)



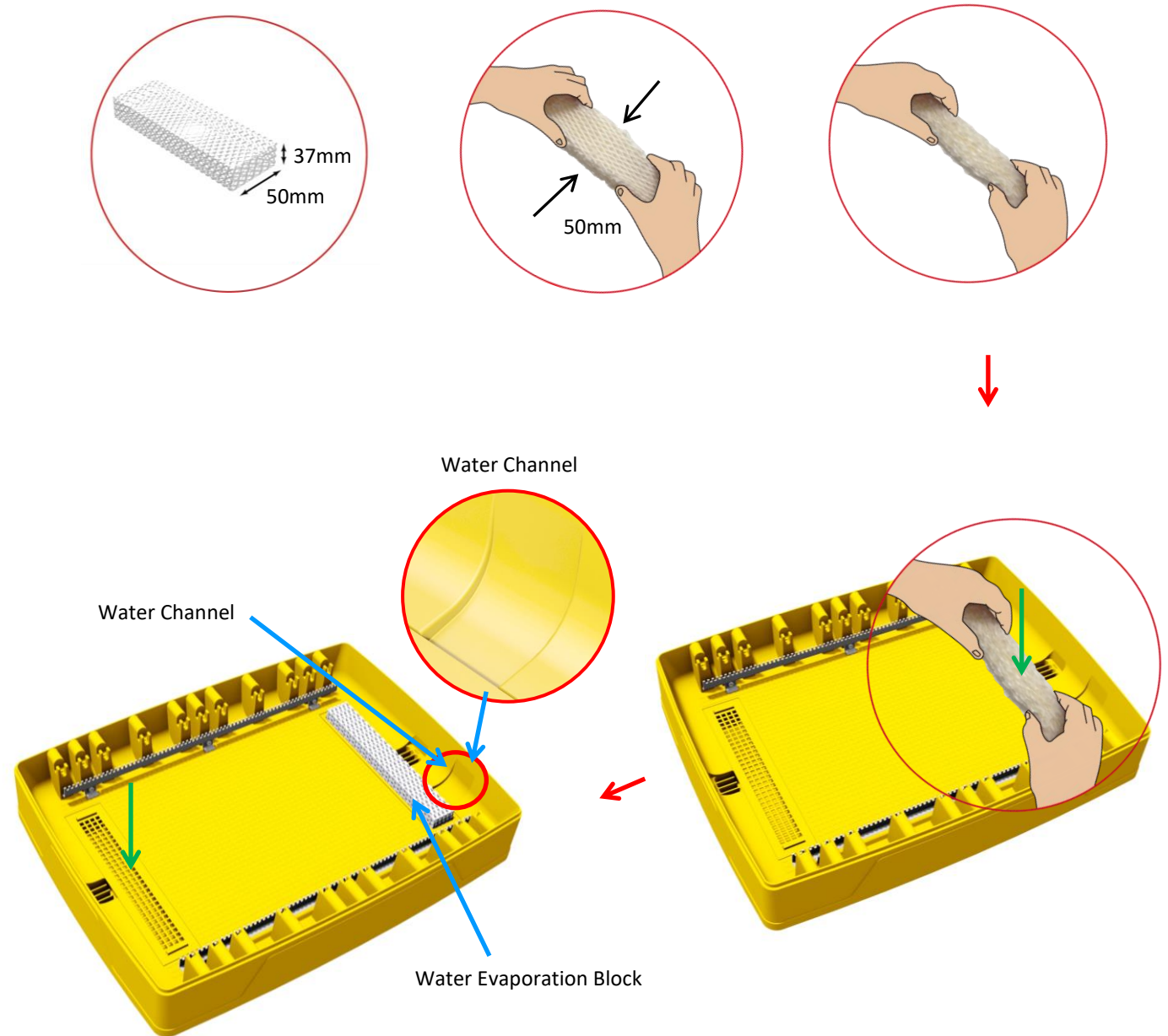
## 1 SETTING UP YOUR INCUBATOR

### ASSEMBLY

**1:** There are two water pans. Compress and fit the water evaporation block into the correct water pan. This is the one that has the water channel flowing into it.

**2:** Place the water pan cover into the other water pan.

Do not add any water to the water pans.





**1 SETTING UP YOUR INCUBATOR**

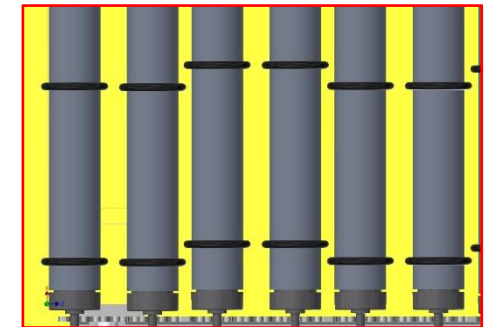
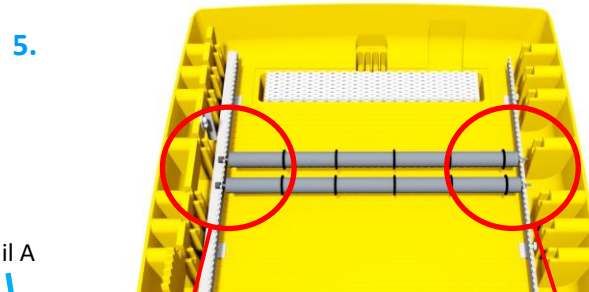
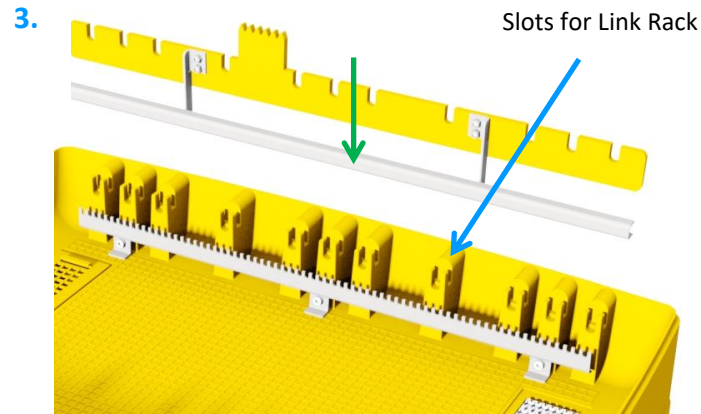
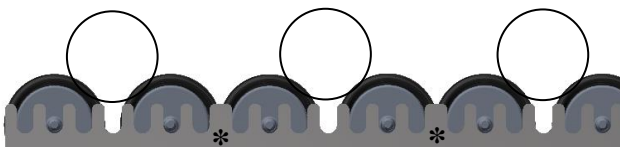
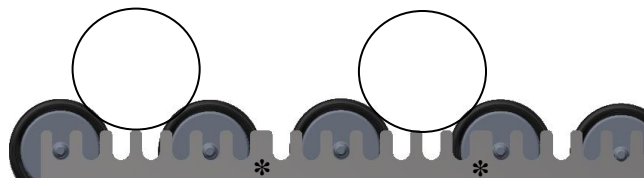
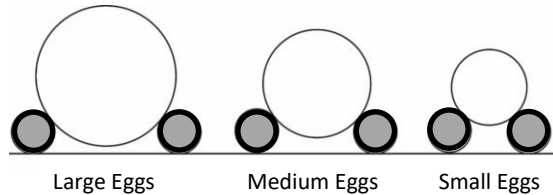
**ASSEMBLY**

**3:** Fit the Link Rack into its slots.

**4:** Fit the O-Rings to the rollers in the desired locations so that eggs remain spaced without touching.

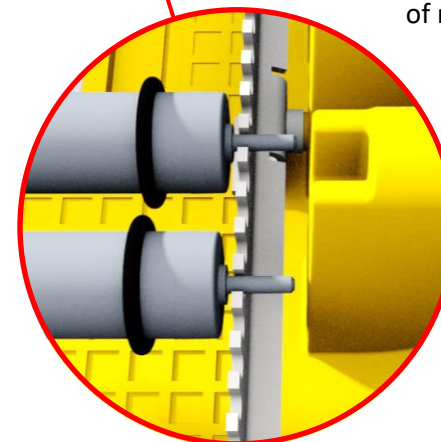
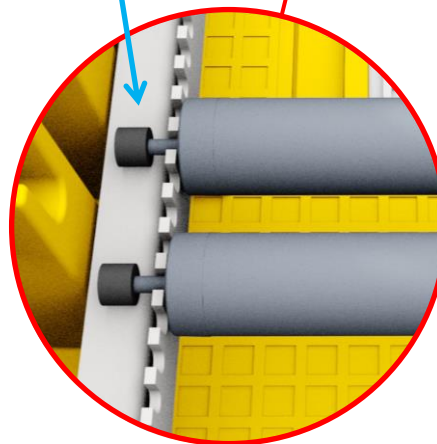
**5:** Fit the Egg Rollers into the required positions. The rubber wheels must rest on the Link Rack (see detail A). During incubation all eggs should rest with their pointed end lower than the round end, the greater the angle the lower the risk of embryo mal-positioning. Check by regular observation that this is the case. Rollers should be positioned as far apart as practicable for any particular sized egg, provided there is no danger of an egg falling through or getting jammed. Eggs supported like this are more likely to settle with the point slightly downwards. The angle tends to increase as the air cell dries out.

**Always check that large eggs have enough space above them when the top of the incubator is fitted. The fan is the lowest part of the incubator top.**



If the rollers are very close to each other (e.g. when using 20 rollers) stagger the o-rings of alternate pairs of rollers

Detail A



## 1 SETTING UP YOUR INCUBATOR

### ASSEMBLY

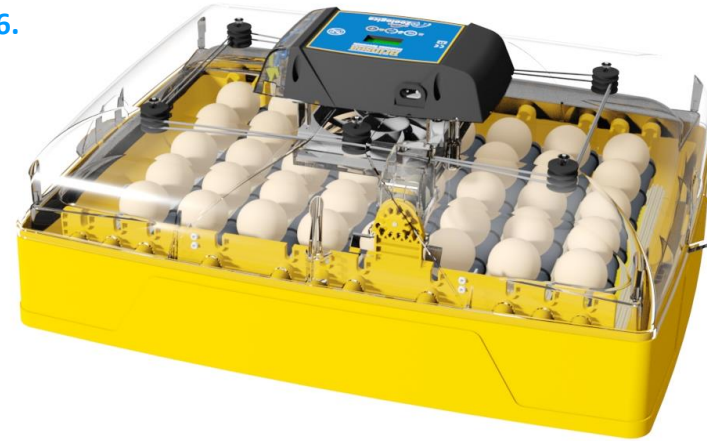
**6:** Place the top onto the base in the correct orientation. The egg turning motor must sit over the link. Check the top fits flush all the way around the base edge.

**7:** Find a suitable water container (0.5 to 1.0L). Place next to the incubator.

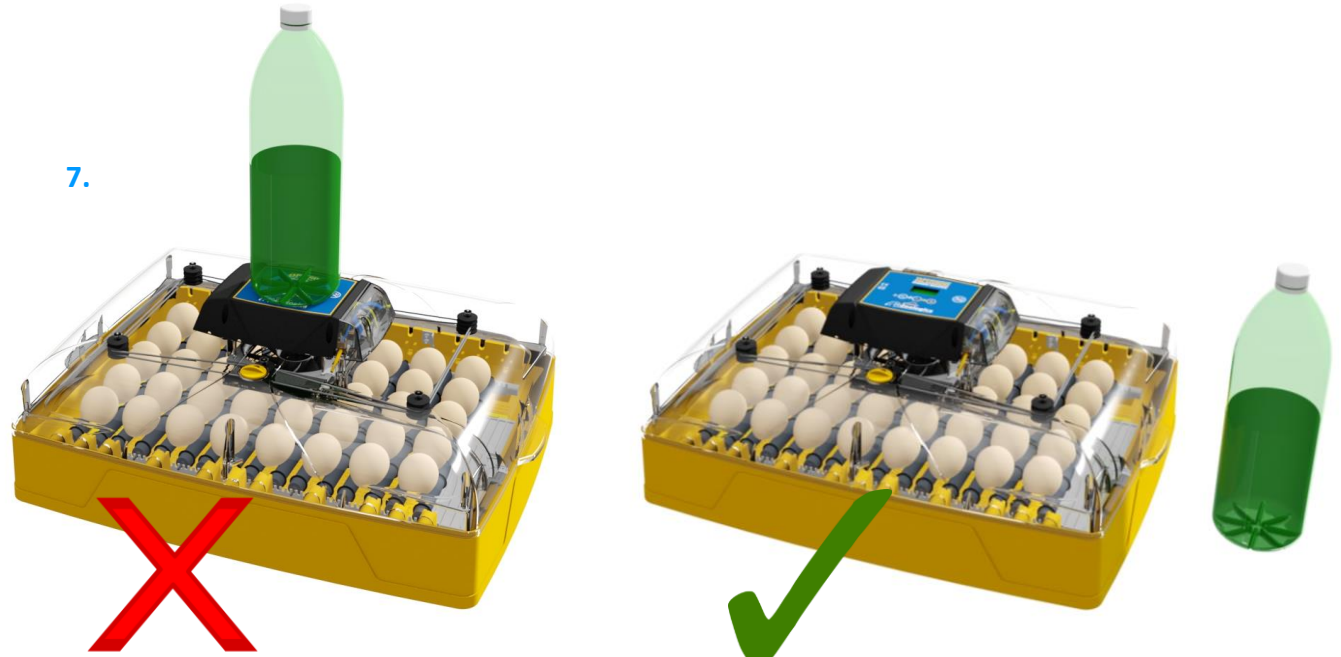
**IMPORTANT: Do not place the water container on top of the incubator or higher than the incubator.** This is to prevent the water siphoning through and flooding the incubator. The water container is best placed next to the incubator on the same surface.

Please ensure the incubator is used on a water-resistant surface.

6.



7.





## 1 SETTING UP YOUR INCUBATOR

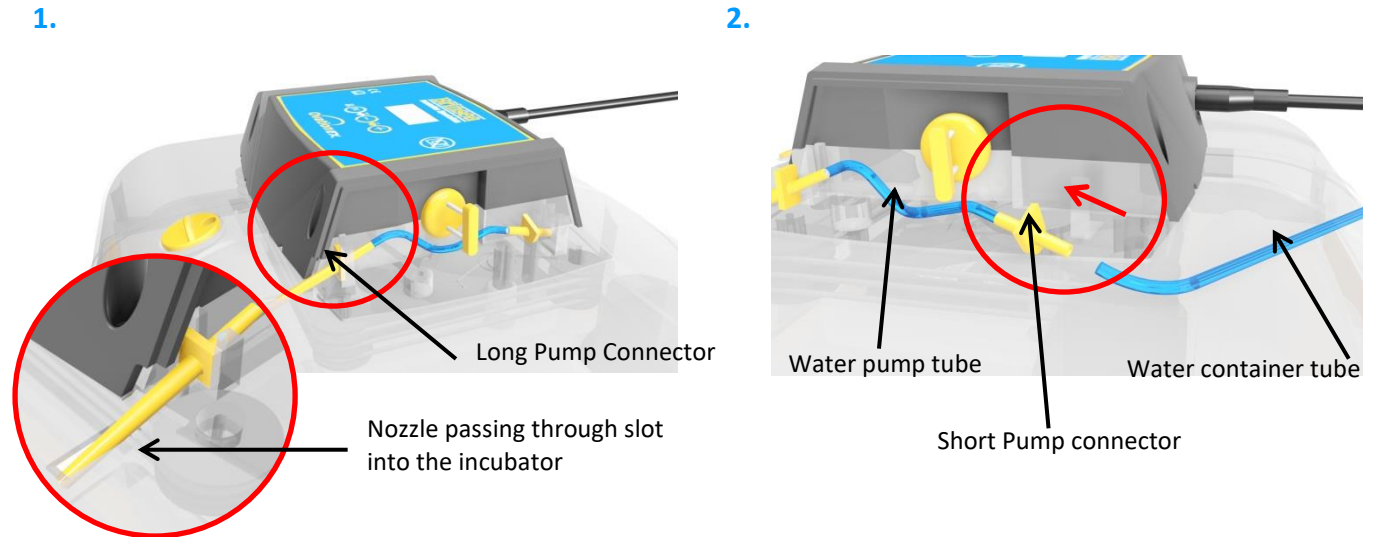
### PUMP SETUP

The Ovation Zoologica incubator uses a peristaltic water metering pump to automatically control the relative humidity of the air in the egg chamber. Pumped water is fed to an expanded paper evaporation block where warm air is drawn over the large surface to effectively evaporate all the water (none should collect under normal conditions). This humidified air is then mixed within the heating chamber so that the air drawn across the eggs is of uniform humidity and temperature.

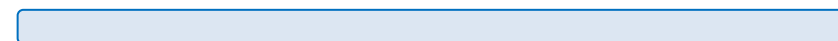
The pump is supplied with a water pump tube (110mm long) and two pump connectors that are fitted at each end of the tube. Use the tube diagram to ensure your tube is cut to the correct length.

**1:** Ensure the long pump connector is in the correct position with the nozzle passing through the slot into the incubator as shown.

**2:** Cut the water container tube to length (a length of silicon water tubing to connect the pump to the water container). Leave enough spare so that the incubator top can be easily removed and placed to one side. Attach one end of the water container tube onto the other side of the short pump connector and feed the tube into your water container.



Water Pump Tube diagram to scale

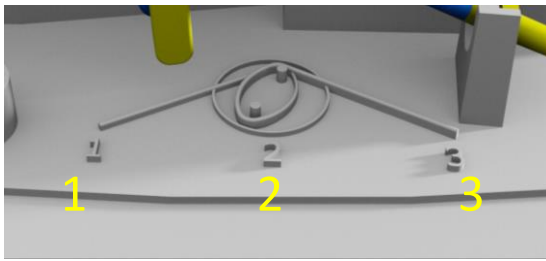


110 mm

## 1 SETTING UP YOUR INCUBATOR

### PUMP SETUP

**3:** Pull the short pump connector up over the capstan, wrap around and pull over into the pump connector's slot. Follow the diagram on the incubator, 1 – 2 – 3.

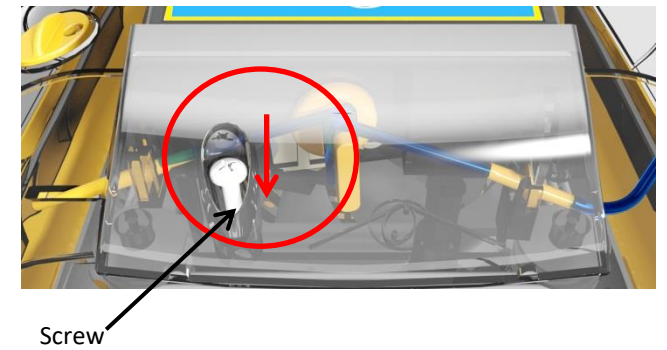
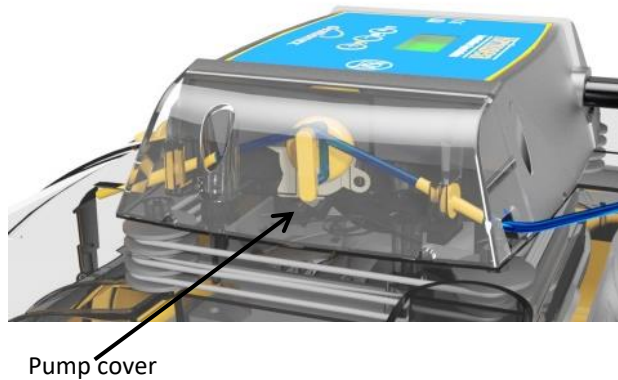
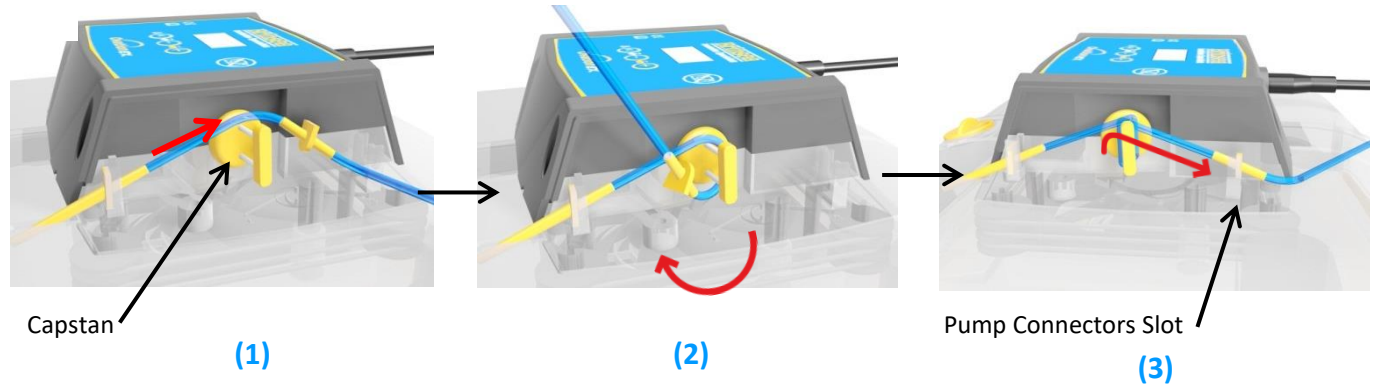


**4:** Fit the pump cover in place and gently tighten the screw.

Check the water level in your water container regularly.

Please check the condition of the tube after each use. The peristaltic pump will need to have its water pump tube replaced about every 3 months. Cut a length of tube to 110mm. Remove the connectors and pull off the old tube. Replace with the new tube, avoiding twists. Use the diagram on the product to assist and follow the instructions above.

**3.**



## 1 SETTING UP YOUR INCUBATOR

### LOCATION AND INSTALLATION

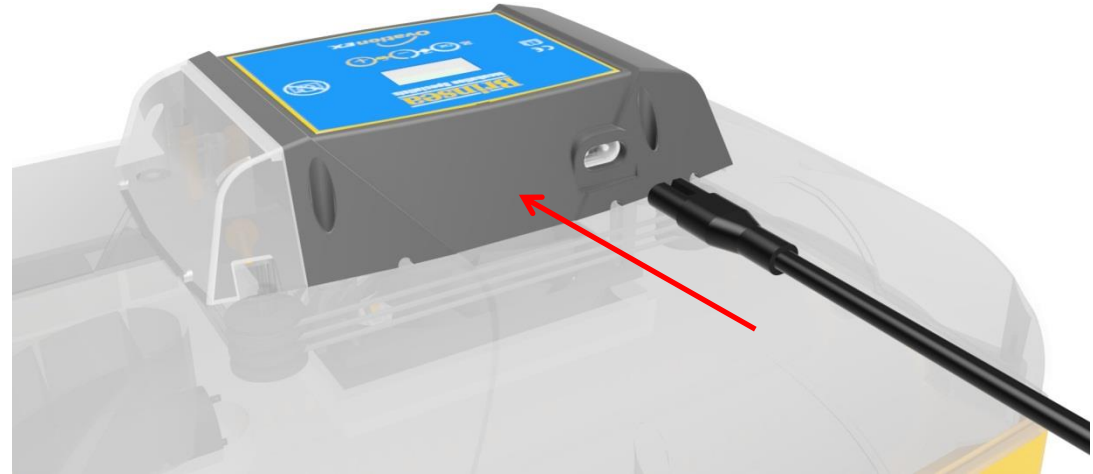
Your incubator will give best results in a heated room free from wide temperature variations and with generous ventilation – particularly if several incubators are running at the same time.

Ensure that the room temperature cannot drop on a cold night. Ideally thermostatically control the room at between 20 and 25°C (68 and 77°F). Never allow the room temperature to drop below 15°C (59°F).

Make sure that the incubator cannot be exposed to direct sunlight and is used on a flat, level surfaced worktop or table, not on the floor.

Connect the mains cable to the incubator lid. Ensure the connector is pushed fully home in its socket.

1.



2.

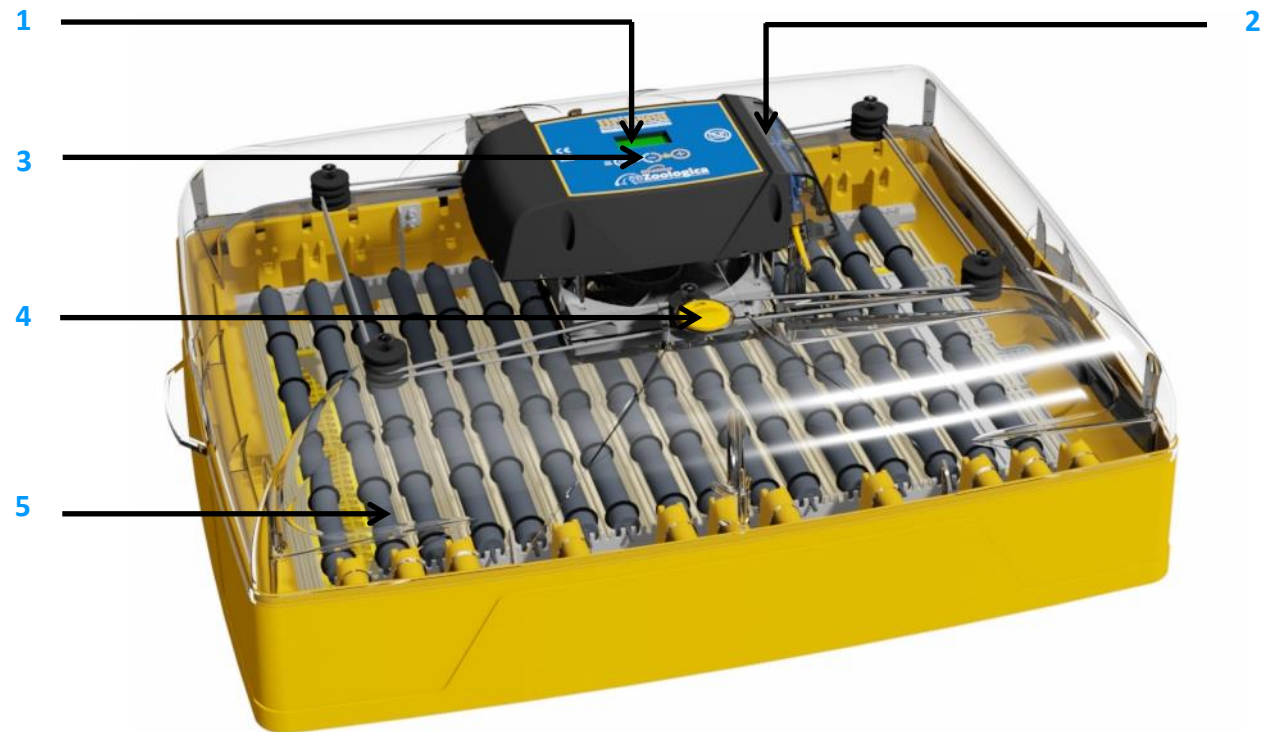


## 2 PRODUCT INTRODUCTION

---

### FUNCTIONAL FEATURES

- 1: Digital Display
- 2: Pump Cover
- 3: Control Buttons
- 4: Adjustable air vent
- 5: Egg Rollers



### 3 SETTINGS

### CONTROL MENU

The diagram on the right illustrates how to navigate through the control menu. Look at the key below to understand what each button does when pressed.



Press both buttons to unlock the menu.



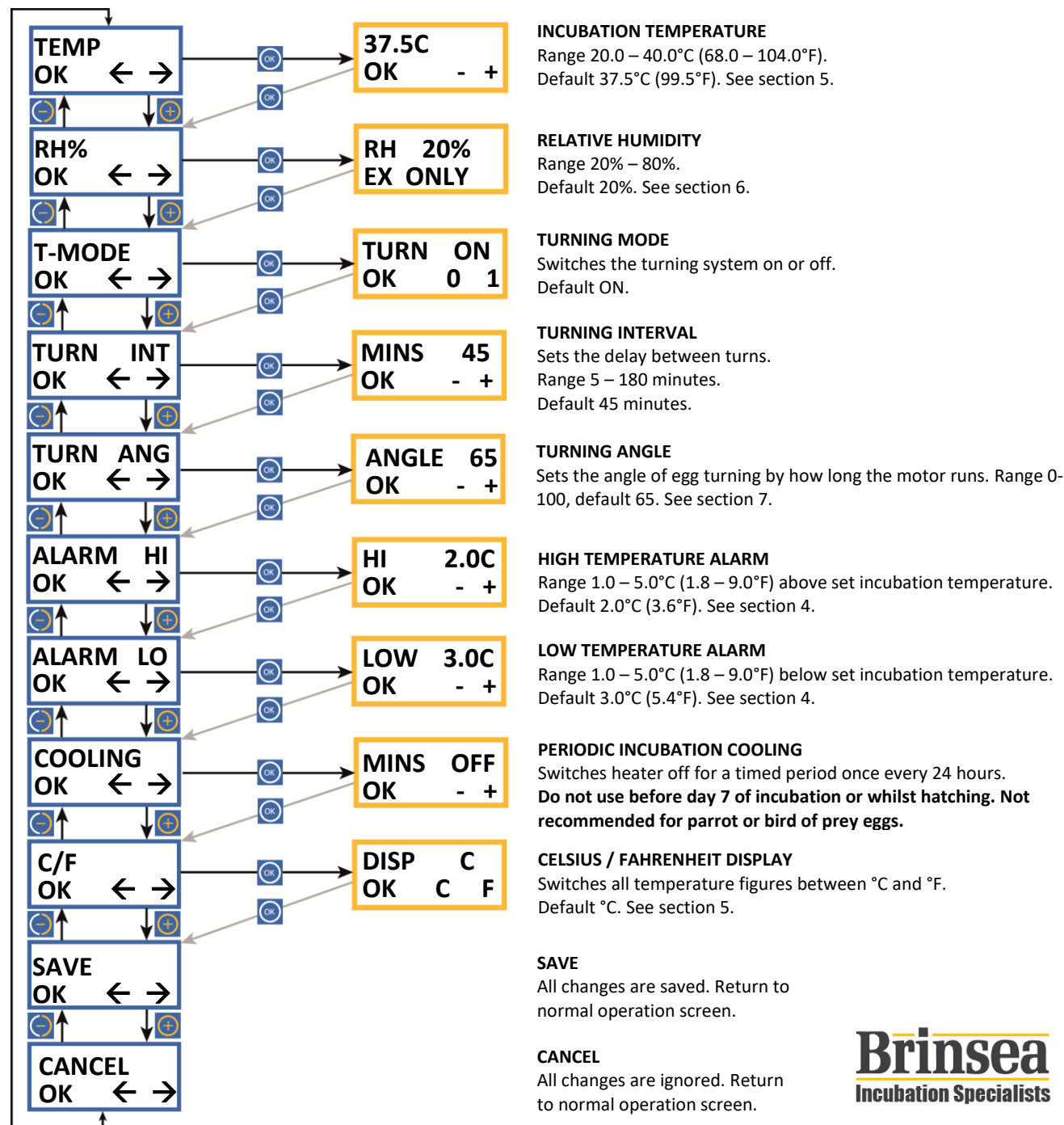
Select the option / return to the menu.



Go forward one screen / increase the value / display in Celsius.



Go back one screen / decrease the value / display in Fahrenheit.





## 4 DISPLAY

### DIGITAL CONTROL SYSTEM

The Ovation 56 Zoologica control system utilises a highly accurate, individually calibrated sensor for temperature. Be cautious of low-cost analogue or digital thermometers when comparing them with the incubator display reading.

#### Example settings for poultry:

**Temperature:** 37.5°C

**Humidity:** 45%

**Turning interval:** 45 minutes (remove egg rollers, link rack and roller supports for hatching)

**Turning angle:** 50 (approximately a 90 degree turn of the eggs)

**Cooling:** OFF

**(Do not manually add water to the water pans when the automatic humidity control system is being used)**

(FIG 1)



T\*37.5C  
H 35% P/

#### Normal Operation – Temperature, relative humidity and turn system status are continuously displayed.

- The asterisk "\*" adjacent to the temperature reading shows when the heater power is on. When warming the asterisk will be continuously on, once warmed up the asterisk will slowly flash as the heater is pulsed to maintain the correct temperature. When reducing the temperature setting the asterisk may go off, this is normal.
- During periodic incubation cooling (see section 8) the asterisk will be replaced by an arrow: "↓".
- The asterisk "\*" adjacent to the humidity reading shows when the pump output is active (see section 8). The pump output will not come on until the incubator is up to operating temperature and the set humidity level is greater than the measured humidity level in the incubator.
- If turning is switched off an "O" flashes at the corner of the display.
- If turning is switched on a line "/" symbol rotates at the corner of the display.

#### Changing Settings – The Control Menu allows the various settings to be modified and saved. All settings are retained in the event of a power cut.

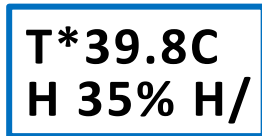
- To access the Control Menu press the + and – buttons simultaneously to unlock the display. For full details of menu settings please refer to the contents on page 3 and view the relevant sections.

#### Power Loss Display (FIG 1) -- If power has been interrupted due to a power cut (or when first switching on) a "P" is shown flashing in the corner of the display. Press OK for 2 or more seconds to clear the indicator. If the reason for the power loss is not known check the power cable connections are secure.

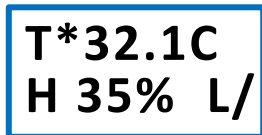
- Once the "P" indicator has been cleared, it is advisable to candle eggs a number of times to check for losses.

4 DISPLAY

(FIG 2)



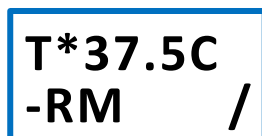
(FIG 3)



(FIG 4)



(FIG 5)



**High Temperature Alarm Display (FIG 2)** – If the measured temperature inside the incubator goes up by more than the figure in the ALARM HI screen, the alarm will sound immediately and “H” will be displayed. Press OK to silence the alarm for 30 minutes.

- If the high temperature problem rectifies itself the “H” remains on the display to show this has happened. Press OK to clear the indicator. Check the incubator is not (and has not been) in direct sunlight or too near a heat source such as a room heater. It is advisable to candle eggs a number of times after this event to check for losses.

**Low Temperature Alarm Display (FIG 3)** – If the measured temperature inside the incubator goes down by more than the figure in the ALARM LO screen, after 60 minutes “L” will be displayed and the alarm will sound. Press OK to silence the alarm for 30 minutes.

- If the low temperature problem rectifies itself the “L” remains on the display to show this has happened. Press OK to clear the indicator. Check the incubator is not (and has not been) in a cold draught and that the room temperature has not dropped significantly. It is advisable to candle eggs a number of times after this event to check for losses.

**Low Room Temperature Alarm (FIG 4)** – If the calculated room temperature remains too low for optimum results for more than 1 hour a warning is displayed “-RM” and an alarm will sound. Press OK to silence the alarm for 30 minutes.

- If the low temperature problem rectifies itself the “-RM” remains on the display to show this has happened. Press OK to clear the indicator.
- Check the incubator is not (and has not been) in a cold draught and that the room temperature has not dropped significantly. It is advisable to candle eggs a number of times after this event to check for losses.

**High Room Temperature Alarm (FIG 5)** – If the calculated room temperature remains too high for optimum results for more than 1 hour a warning is displayed “+RM” and an alarm will sound. Press OK to silence the alarm for 30 minutes.

- If the high temperature problem rectifies itself the “+RM” remains on the display to show this has happened. Press OK to clear the indicator.

Check the incubator is not (and has not been) in direct sunlight or too near a heat source such as a room heater. The eggs themselves create significant metabolic heating at later stages of incubation and may contribute to this if room temperature is high. It is advisable to candle eggs a number of times after this event to check

## 5 TEMPERATURE

### SETTING THE TEMPERATURE



1. Press the - and + buttons simultaneously to unlock the Main Menu.



2. Press OK to select the temperature screen and adjust as necessary using the + and - buttons.



3. Press OK to return to the Main Menu and then scroll down to SAVE. Press OK to save the changes.

When reducing temperature the asterisk may go out while the incubator cools – this is normal. Adjust temperature with care – small differences have large effects on hatching performance.

### CHANGING TO FAHRENHEIT



1. Press the - and + buttons simultaneously to unlock the Main Menu.



2. Scroll to the C/F option and press OK to select the C/F display screen.



3. Press the + button to select °F or the - button to select °C.



4. Press OK to return to the Main Menu and then scroll down to save. Press OK to save the changes

**Please Note:** Your incubator will be factory set for hen eggs, you may wish to adjust the temperature in the menu to suit the types of eggs you are incubating.

As the incubator warms up and approaches its control setting the 'heater on' asterisk "\*" will change from continuously on to flashing. Allow the incubator to stabilise for at least an hour before adjusting the temperature.

|                        | Recommended temperatures: |                | Typical incubation period: |
|------------------------|---------------------------|----------------|----------------------------|
| <b>Parrots:</b>        |                           |                |                            |
| Amazons                | 36.8 – 37.0°C             | 98.3 – 98.6°F  | 24-29 days                 |
| Macaws                 | 36.8 – 37.0°C             | 98.3 – 98.6°F  | 26-28 days                 |
| Love birds             | 36.8 – 37.0°C             | 98.3 – 98.6°F  | 22-24 days                 |
| African Grey           | 36.8 – 37.0°C             | 98.3 – 98.6°F  | 28 days                    |
| Eclectus               | 36.8 – 37.0°C             | 98.3 – 98.6°F  | 28 days                    |
| <b>Domestic birds:</b> |                           |                |                            |
| Hens                   | 37.4 – 37.6°C             | 99.3 – 99.6°F  | 21 days                    |
| Pheasant               | 37.6 – 37.8°C             | 99.6 – 100.0°F | 23-27 days                 |
| Quail                  | 37.6 – 37.8°C             | 99.6 – 100.0°F | 16-23 days                 |
| Ducks                  | 37.4 – 37.6°C             | 99.3 – 99.6°F  | 28 days                    |

- Developing embryos are fairly tolerant of short term temperature drops and the user need not be concerned about cooling that occurs when inspecting eggs. Temperatures above ideal can quickly have a serious detrimental effect on hatch rates and must be avoided.
- The Ovation Zoologica has a built-in temperature alarm which warns of high or low temperatures. See section 4 for details.

## 6 HUMIDITY AND VENTILATION

### UNDERSTANDING HUMIDITY

Short term variations in humidity are not important. The average humidity over the incubation period needs to be near optimum to achieve the ideal weight loss.

High humidity for the day or two of hatching is also important. Beware chronic, excessive humidity.

### HATCHING

If the humidity level in the incubator is lower than the Set Humidity Level the pump will start to turn (sometimes brief pulses) and gradually draw water from the tank and pump it to the evaporation card in the incubator.

This may take a few hours to pump through and stabilise after which the pump will run intermittently as the humidity level is controlled.

#### Typical Humidity:

Generally accepted incubation RH levels for species groups:

|                                   |                  |
|-----------------------------------|------------------|
| <b>During incubation: Parrots</b> | <b>35-45% RH</b> |
| <b>Waterfowl</b>                  | <b>45-55% RH</b> |
| <b>Poultry</b>                    | <b>40-50% RH</b> |
| <b>Hatching: All species</b>      | <b>60-65% RH</b> |

#### Typical Weight Loss:

Typical ideal weight losses for species groups:

|                  |            |
|------------------|------------|
| <b>Parrots</b>   | <b>16%</b> |
| <b>Waterfowl</b> | <b>14%</b> |
| <b>Poultry</b>   | <b>13%</b> |

**For more specific information on particular species' requirements check the relevant literature.**

Two factors affect incubation humidity: water evaporation within the cabinet (from eggs as well as from additional water) and levels of ventilation. The water content of the air being drawn through the incubator will also have an effect.

There are two methods available to bird breeders to achieve correct humidity levels:

**1: Monitor humidity levels and adjust to match published guidelines for different species.**

**2: Monitor egg weight loss which varies as a direct result of humidity and correct against published weight loss figures for the species. This is the most reliable method and is recommended – particularly where poor hatch rates are experienced or if eggs of high value are being incubated.**

**Eggs lose moisture through their shells and the rate of evaporation depends on the humidity levels around the eggs and the shell porosity. During incubation eggs need to lose a fixed amount of water which corresponds to a loss in weight of around 13-16% depending on species. By weighing eggs periodically during incubation it is possible to monitor and, if necessary, correct humidity levels to achieve the correct weight loss.**

For more detailed information on all aspects of egg incubation including helpful advice on getting best results please visit our website at [www.brinsea.co.uk/incubationhandbook](http://www.brinsea.co.uk/incubationhandbook).

## 6 HUMIDITY AND VENTILATION

### SETTING THE RELATIVE HUMIDITY LEVEL



1. Press the - and + buttons simultaneously to unlock the Main Menu.



2. Press the + button to scroll to the RH% option.

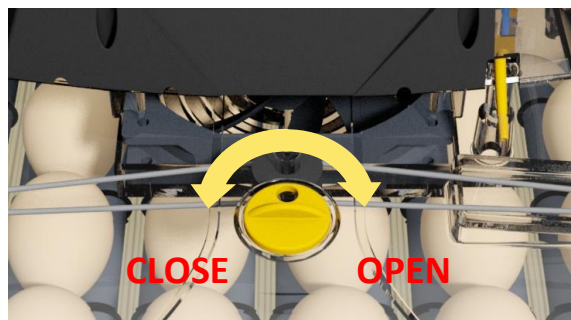


3. Press OK to select the RH% screen and adjust as necessary using the + and - buttons.



4. Press OK to return to the Main Menu and then scroll down to SAVE. Press OK to save the changes.

### ADJUSTING THE VENT



Opening and closing the vent: Close the vent to increase humidity or open the vent to decrease humidity.

**The pump will not run if the incubator is significantly below the set temperature (including during periodic incubation cooling – see section 8). This is to prevent the system adding too much water when the top has been opened for inspecting eggs etc.**

In all cases the humidity for hatching needs to be high. Because of the short duration involved water/weight loss will not be significantly affected. High humidity is necessary to prevent membranes drying and hardening before the hatch fully emerges. Humidity will naturally increase as the first eggs begin to hatch and internal membranes begin to dry. This is in addition to the water added by the pump.

During hatching the high humidity levels will fall dramatically when the lid is opened and will take some time to build up. Resist the temptation to lift the lid frequently – leave for at least 6 hours between inspections.

The control system may be set to control between 20 and 80% RH. In practice the minimum and maximum levels of humidity achievable in an incubator depend upon several factors including the ambient conditions in the incubation room. You may need to allow 24 hours for humidity to fully stabilise after making changes.

**If you cannot achieve the relative humidity level required consider these notes:**

#### Humidity will not go low enough

- The humidity control system can only increase humidity, not actively reduce it. Open the vent fully to help.
- A lower limit will be determined by the moisture content of the ambient air, particularly in warm humid conditions. This can only be countered by dehumidification of the room air outside the incubator with a proprietary dehumidifier but is rarely a problem in practice.

#### Humidity will not go high enough

- Close the vent to its minimum setting to help.
- Check that water is reaching the incubator when the pump runs – if not check the whole length of the tubing for kinks and check that the tubing around the pump has not become permanently flattened. If it has, try stretching it gently to open it. If that fails replace the pump tube (see page 10). Silicone tubing is very flexible but can be damaged by sharp finger nails. A tiny perforation on the suction side of the pump will let in air and prevent the pump drawing water.
- The tubing around the pump must be replaced periodically, typically every three months but this varies with use. See page 10 for details.

#### Condensation

It is normal for some condensation to occur on the cooler exposed parts of the clear top. This natural phenomenon is not a hazard or a problem for incubation but may indicate the room is cooler than optimum.



7 EGGS

SETTING THE TURNING OPTIONS



1. Press the - and + buttons simultaneously to unlock the Main Menu.



2. Press + to scroll to the TURN 0/1 option.



3. Press OK to select the turning mode screen and use the + and - buttons to set to ON or OFF as required.



4. Press OK to return to the Main Menu. The TURN INT option will now be displayed. Press OK to select the turn interval screen and use the + and - buttons to set the delay between turns in minutes as required.



5. Press OK to return to Main Menu. The Turn Angle will now be displayed. Press OK to select the turn angle screen and use the + and - buttons to set the turning angle.



6. Press OK to return to the Main Menu and then scroll down to SAVE. Press OK to save the changes.

STORING, SETTING AND TURNING EGGS

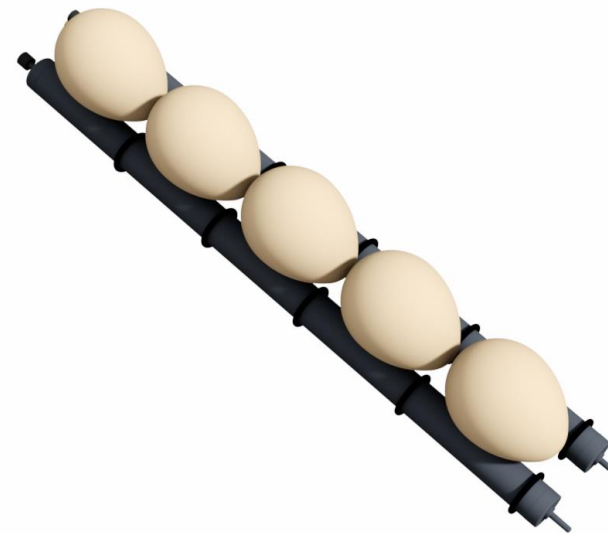
Ensure that you store eggs in cool, damp conditions. Most species may be safely stored for up to 14 days before serious reductions in hatch rates are likely. Daily turning of stored eggs also helps maintain hatchability.

Discard cracked, mis-shaped and heavily soiled eggs (if possible). Only wash soiled eggs using a branded egg wash solution such as Brinsea Incubation Disinfectant Concentrate following the manufacturer's instructions. It is essential to wash eggs in solution which is significantly warmer than the egg. Bear in mind that all solutions will remove the outer cuticle from the egg as well as the dirt and may leave the egg at greater risk from bacterial contamination in the future.

Before setting eggs ensure that the incubator has been running for several hours and has stabilised at the correct temperature.

Place the eggs between pairs of rollers. Carefully ensure the rollers are fitted in the incubator evenly spaced so that they are parallel to each other. Use O-rings to space the eggs apart to prevent them touching. Switch the turning system on. A revolving line symbol “/” should be shown in the corner of the display. Press the OK and - buttons to start a manual turn. Check the angle the eggs turn through and then adjust the turn angle setting in the menu to increase or decrease as necessary. Note that smaller eggs will turn through a greater angle than large eggs. Adjust so that the largest eggs turn through an angle of at least 90 degrees.

Check the water level every 2 days or so and temperature daily. Candle the eggs after 1/3rd of the incubation period has elapsed to reject clear, infertile eggs. Remember to stop the turning 2 days before the eggs are due to hatch.



## 8 PERIODIC INCUBATION COOLING

### SETTING THE COOLING PERIOD



1. Press the - and + buttons simultaneously to unlock the Main Menu.



2. Press the + button to scroll to the cooling option.



3. Press OK to select the cooling screen. Use the + and - buttons to select OFF or 10 to 360 minutes of cooling.



4. Press OK to accept the figure and then scroll to SAVE and press OK to save the changes.

### BACKGROUND INFORMATION ON PERIODIC COOLING

The precise details of which days and what cooling period each day should be used for best effect are not known. Brinsea have assessed the available research and suggest that poultry, water fowl and game bird eggs have a 30 minute daily cooling period from day 7 through to 2 days before eggs are due to hatch (the same point that automatic turning would normally be stopped).

**COOLING IS NOT RECOMMENDED FOR PARROTS AND BIRDS OF PREY BECAUSE THE RESULTS OF COOLING HAVEN'T YET BEEN ESTABLISHED.** For further details please visit the Brinsea website at [www.brinsea.co.uk/cooling](http://www.brinsea.co.uk/cooling)

### HOW IT WORKS WITH YOUR INCUBATOR

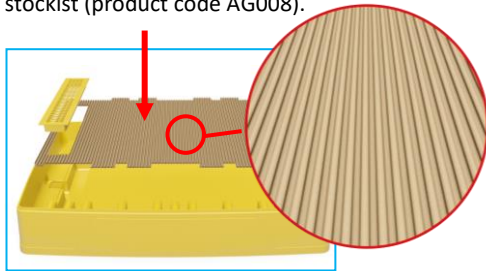
- The periodic cooling feature turns the incubator's heater and low temperature alarm off for a selectable period but keeps the fan running. After the cooling period is complete the incubator reverts to normal temperature and the alarm is automatically reset.
- Each cooling period starts at approximately the same time each day (24 hours between start times). The first cooling period will start 24 hours after the incubator was last switched on. If there is a power interruption the 24 hour delay starts again.
- During the cooling period the heater asterisk goes off and an arrow "↓" is displayed. When the cooling period ends the asterisk is shown and the incubator warms to incubation temperature. The time taken to return to incubation temperature depends on the room temperature and may take 30 or more minutes.
- The humidity pump will not run during periodic cooling; humidity levels will rise as the air cools.

## 9 HATCHING & CLEANING UP

### HATCHING

**1:** Two days before the hatch is due, remove the egg rollers, link and roller mounting plates. Store the parts carefully. See diagrams opposite.

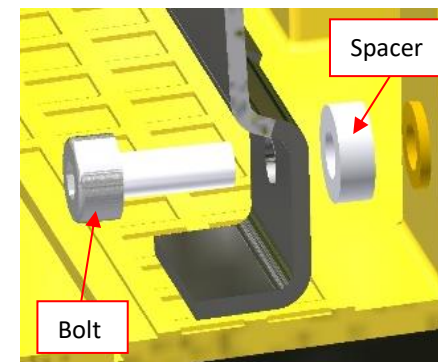
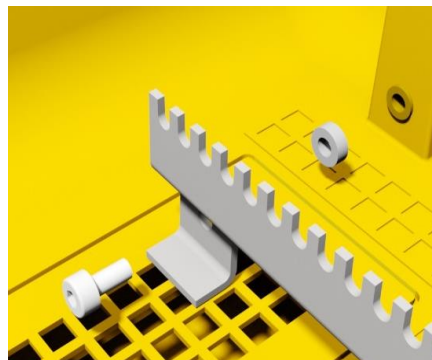
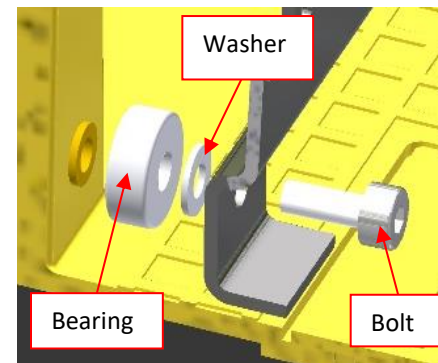
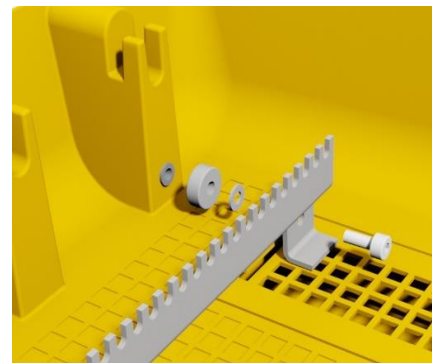
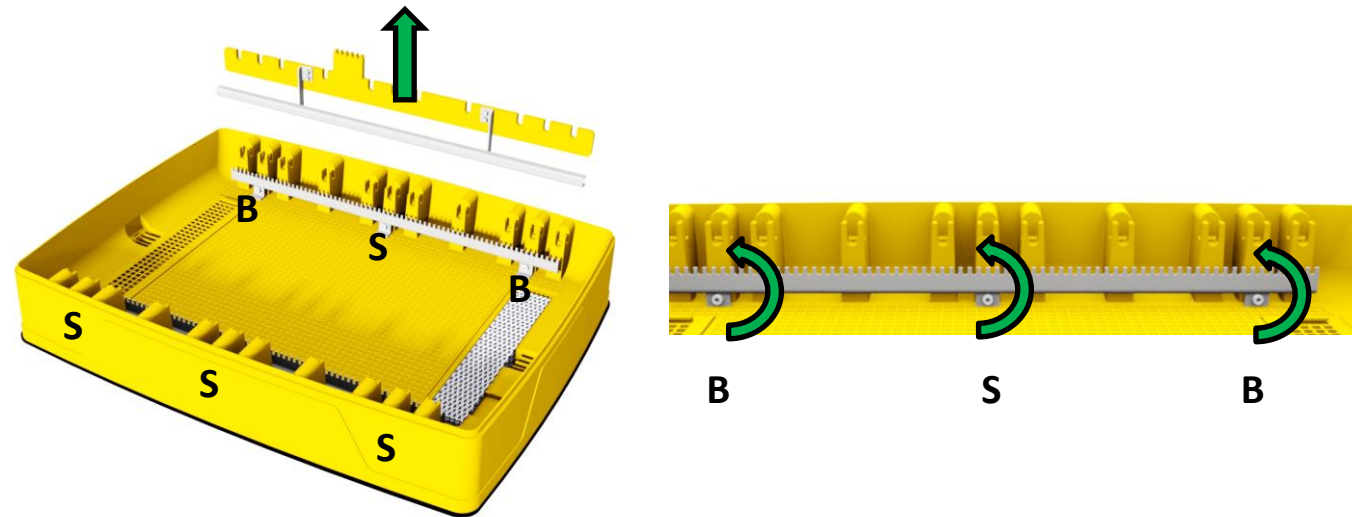
**2:** Remove the water pan cover to allow the hatching mat to be fitted. Insert the hatching mat, ribbed side up. Re-fit the water evaporating block remains in place. Lay the eggs directly onto the mat. Don't re-use hatching mats. Replacements are available from [brinsea.co.uk](http://brinsea.co.uk), [brinsea.com](http://brinsea.com) or your local stockist (product code AG008).



**3:** Turning must be switched to OFF in the control menu. Hatching humidity levels need to be high (see section 6 above).

When most eggs have hatched (12 to 48 hours after the first egg hatches) remove the hatchlings to a brooder. The Brinsea TLC-40 and TLC-50 Brooders are recommended for exotics. The Brinsea EcoGlow 600 and 1200 are ideal for poultry and waterfowl etc.

During hatching the high humidity levels will fall dramatically when the lid is lifted and will take some time to build up. Resist the temptation to open the incubator frequently – leave for at least 6 hours between inspections.



Note the exact positions of the washers, bearings and spacers. These must be fitted in the correct order for the roller system to work smoothly. Store parts carefully.

The two bearings fit on the link side of the incubator only, in the locations marked 'B' in the diagram. The other four bolts are fitted with spacers (marked 'S' in the diagram).

## 9 HATCHING & CLEANING UP

---

### CLEANING:

#### IMPORTANT:

**DISCONNECT THE INCUBATOR FROM THE MAINS POWER SUPPLY DURING CLEANING.**

**ENSURE THAT ALL ELECTRICAL PARTS ARE KEPT DRY. DO NOT IMMERSE THE INCUBATOR TOP.**

**DO NOT IMMERSE THE INCUBATOR BASE.**

**NEVER WASH THE BASE, EGG ROLLERS, COVERS OR CABINET PARTS IN LIQUIDS OVER 50°C (120°F). DO NOT USE A DISHWASHER TO CLEAN ANY PARTS OF THE INCUBATOR.**

#### **Always clean the incubator after each hatch.**

Remove the incubator top. Use a vacuum cleaner and soft brush to remove dust from the fan guard. Wipe all other internal surfaces with a cloth made damp with correctly diluted Brinsea Disinfectant Solution and then wipe off with a cloth made damp with clean water. Ensure that the instructions supplied with the fluid are followed.

Wipe rollers with disinfectant solution, rinse and dry. Do not immerse the hollow rollers.

The Link and Roller Mounting Plates may be soaked as required. See previous page for fitting details. **DO NOT OVER-TIGHTEN** the fixing bolts.

Wipe out the base with disinfectant solution then wipe off with a cloth made damp with clean water. Do not immerse the hollow base.

**If a separate hatcher is used the procedure above should still be followed every two months.**

The exterior of the incubator may be cleaned with a damp cloth. Avoid allowing any moisture to get inside electrical housings.

If after extended use more thorough cleaning within the top of the appliance is required, please visit [www.brinsea.co.uk](http://www.brinsea.co.uk) for information on how this may be safely performed.

**ALWAYS CLEAN THE INCUBATOR BEFORE STORAGE AND ENSURE THAT THE UNIT IS TOTALLY DRY INSIDE AND OUT. ALLOW IT TO RUN FOR 24 HOURS WITH NO WATER IN TO ENSURE IT IS THOROUGHLY DRY.**

10 SPECIFICATIONS

**TROUBLE-SHOOTING AND CALIBRATION**

In case of failure first check that the mains power supply is working and that the mains cable connector is fully engaged in the socket on the control enclosure.

The digital temperature and humidity display is individually calibrated during manufacture but may be re-calibrated if required. In the unlikely event that your hatching success makes you doubt the temperature or humidity calibration of your machine please contact your distributor or Brinsea directly at sales@brinsea.co.uk for further information and advice.

**OVATION 56 ZOOLOGICA: APPROXIMATE MAXIMUM SETTING CAPACITIES:**

| Egg size | Typical capacity |
|----------|------------------|
| Quail    | 60               |
| Parrot   | 48               |
| Pheasant | 48               |
| Hen      | 40               |
| Duck     | 40               |
| Goose    | 15               |

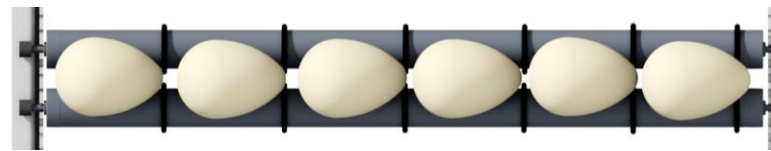
Dimensions: 583mm x 421mm x 223mm

Weight: 6.7 Kg

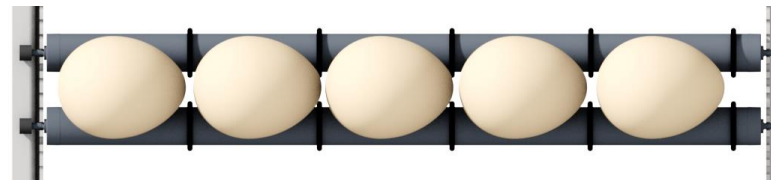
Power Consumption:

Incubator maximum 115 Watts  
(typical average) 60 Watts

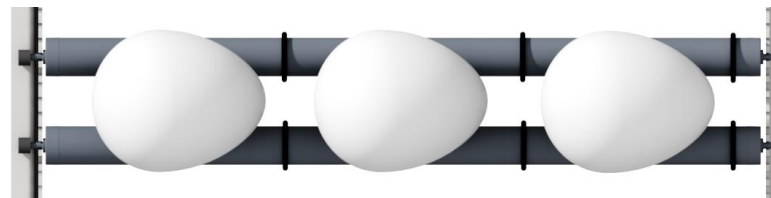
Electrical Supply: 230v 50Hz or 115V 60Hz (as ordered)



**Small Eggs (Parrot, Pheasant)**



**Medium Eggs (Hen, Duck)**



**Large eggs (Goose, Turkey)**



Used electrical and electronic products should not be mixed with general household waste. For proper treatment, recovery and recycling, please take this product to a designated collection point where it will be accepted free of charge.

Please contact your local authority for further details of your nearest designated collection point.

Disposing of this product correctly will help save valuable resources and prevent any potential negative effects on human health and the environment, which could otherwise arise from inappropriate waste handling.



**Registered Community Design Application No 003007103**

Brinsea Products Ltd, 32-33 Buckingham Road, Weston Industrial Estate,  
Weston-super-Mare, N. Somerset, BS24 9BG  
Tel: +44 (0) 345 226 0120  
e-mail: [sales@brinsea.co.uk](mailto:sales@brinsea.co.uk), website: [www.brinsea.co.uk](http://www.brinsea.co.uk)

**DECLARATION OF CONFORMITY**

**We:** BRINSEA PRODUCTS LTD.  
32-33 Buckingham Road  
Weston Industrial Estate  
Weston-super-Mare  
North Somerset  
BS24 9BG

Declare under our sole responsibility the products:

**Egg Incubators:**

Ovation 56 Eco (Serial numbers AG45x/xxxxxxxx, AG45/xxxxxxxx)  
Ovation 56 Advance (Serial numbers AG46x/xxxxxxxx, AG46/xxxxxxxx)  
Ovation 56 EX (Serial numbers AG47x/xxxxxxxx, AG47/xxxxxxxx)  
Ovation 56 Zoologica (Serial numbers AG48x/xxxxxxxx, AG48/xxxxxxxx)

to which this declaration relates are in conformity with the following UK regulations:

**Supply of Machinery (Safety) Regulations 2008**

**Electromagnetic Compatibility Regulations 2016**

**The Restriction of the Use of Certain Hazardous Substances in Electrical and Electronic Equipment Regulations 2012**

The relevant sections of the following Standards have been used:

BS EN 60335-1:2012+A15:2021  
BS EN 60335-2-71:2003+A1:2007  
BS EN 55014-1:2017+A11:2020  
BS EN 55014-2:1997+A2:2008  
BS EN 50581:2012

The technical documentation for the products is available from the above address.

**Authorised Representative:** Ian Pearce, Managing Director

**Signature:**

**Date of Issue:** 4<sup>th</sup> October 2023

**Place of Issue:** 32-33 Buckingham Road, Weston Industrial Estate, Weston-super-Mare, North Somerset, BS24 9BG, United Kingdom.

**DECLARATION OF CONFORMITY**

**We:** BRINSEA PRODUCTS LTD.  
32-33 Buckingham Road  
Weston Industrial Estate  
Weston-super-Mare  
North Somerset  
BS24 9BG

Declare under our sole responsibility the products:

**Egg Incubators:**

Ovation 56 Eco (Serial numbers AG45x/xxxxxxxx, AG45/xxxxxxxx)  
Ovation 56 Advance (Serial numbers AG46x/xxxxxxxx, AG46/xxxxxxxx)  
Ovation 56 EX (Serial numbers AG47x/xxxxxxxx, AG47/xxxxxxxx)  
Ovation 56 Zoologica (Serial numbers AG48x/xxxxxxxx, AG48/xxxxxxxx)

to which this declaration relates are in conformity with the following EU Directives:

|                   |  |
|-------------------|--|
| <b>2006/42/EC</b> | <b>Machinery Directive</b>   |
| <b>2014/30/EU</b> | <b>Electromagnetic Compatibility Directive</b>   |
| <b>2011/65/EU</b> | <b>Restriction on the use of Certain Hazardous Substances in Electrical and Electronic Equipment Regulations</b> |

The relevant sections of the following Standards have been used:

EN 60335-1:2012+A15:2021  
EN 60335-2-71:2003+A1:2007  
EN 55014-1:2017+A11:2020  
EN 55014-2:1997+A2:2008  
EN 50581:2012

The technical documentation for the products is available from the above address.

**Authorised Representative:** Ian Pearce, Managing Director

**Signature:**

**Date of Issue:** 10/2023

**Place of Issue:** 32-33 Buckingham Road, Weston Industrial Estate, Weston-super-Mare, North Somerset, BS24 9BG, United Kingdom.