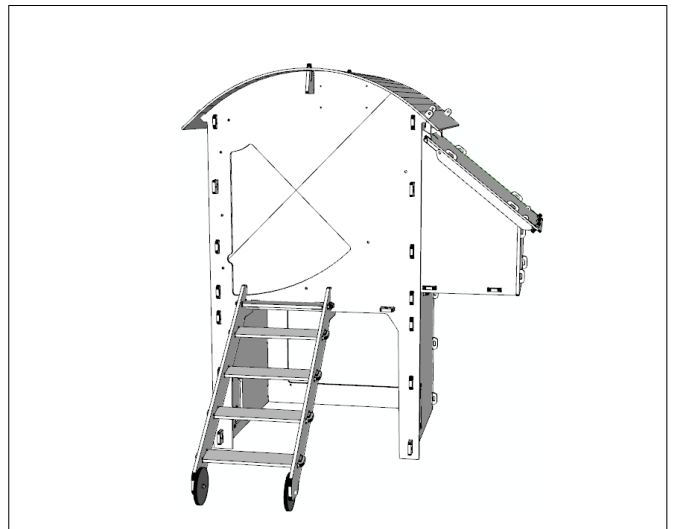
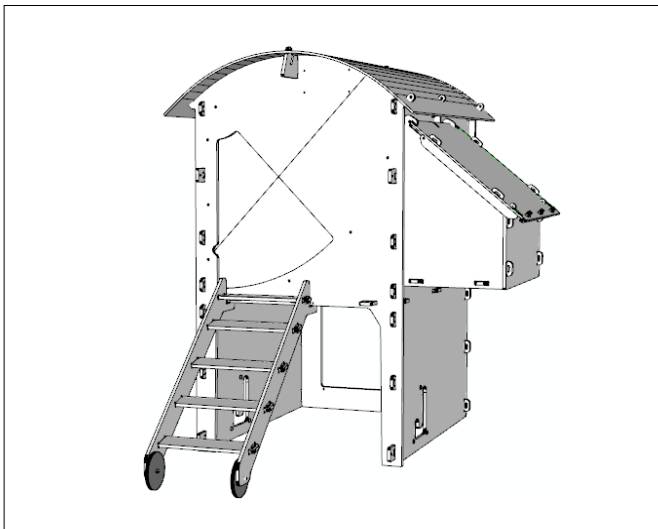
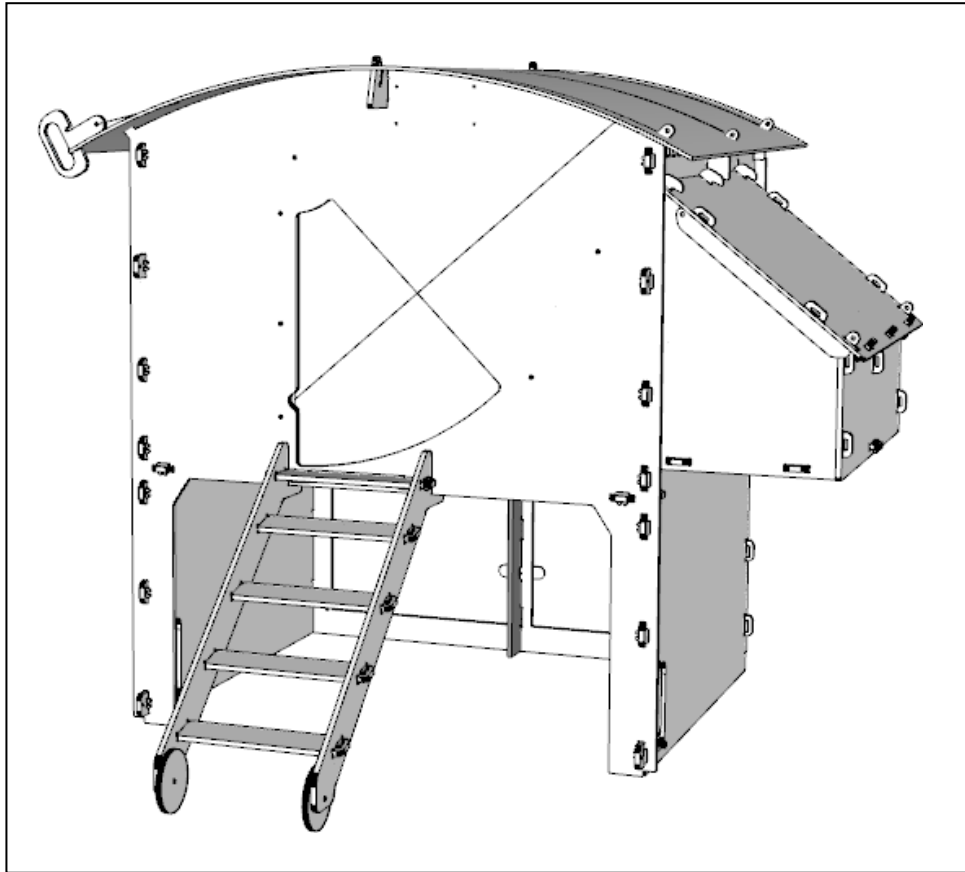


# How To Assemble, Use & Care for Your Raised Chicken Coop Large, Medium, Small

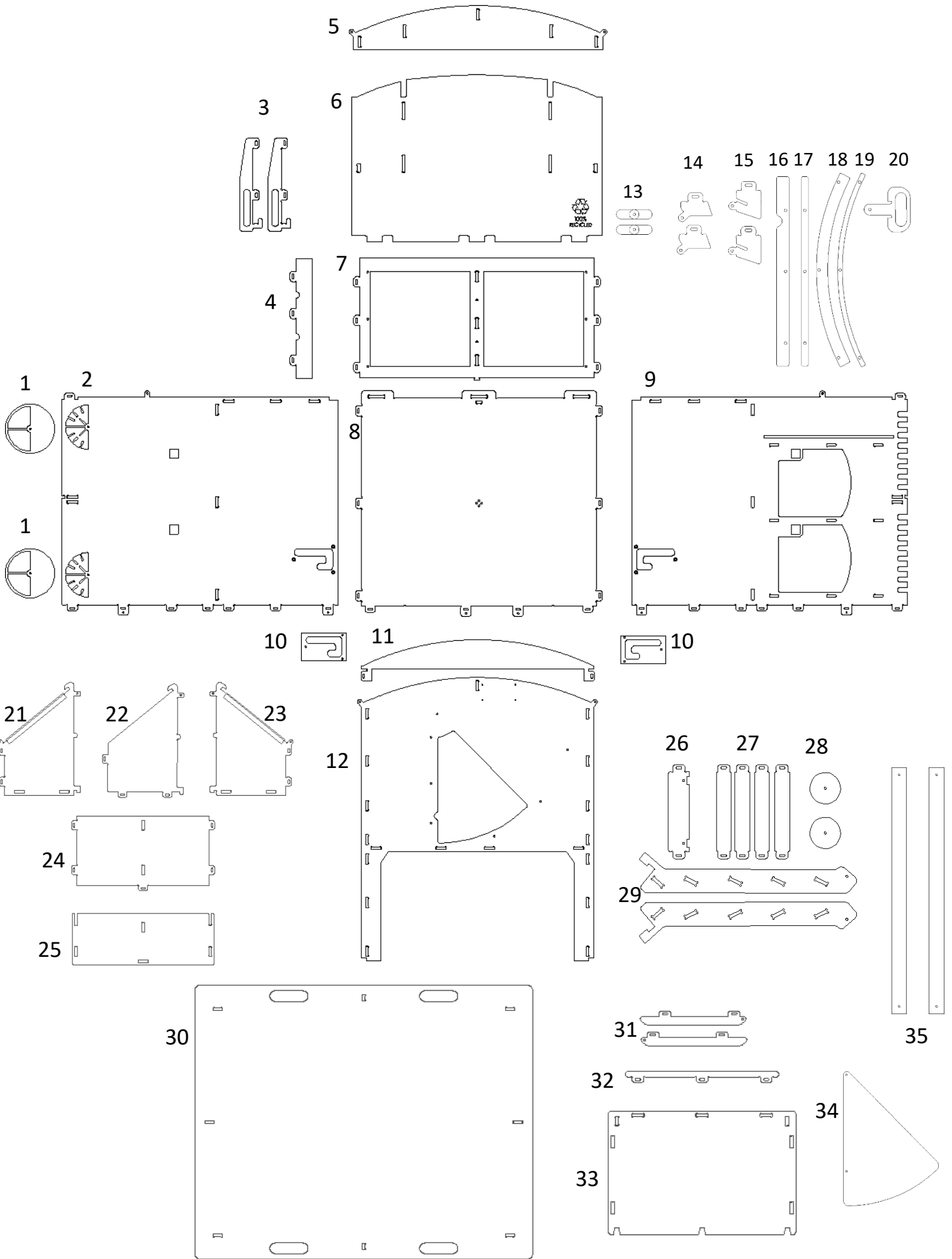


Version 1.0

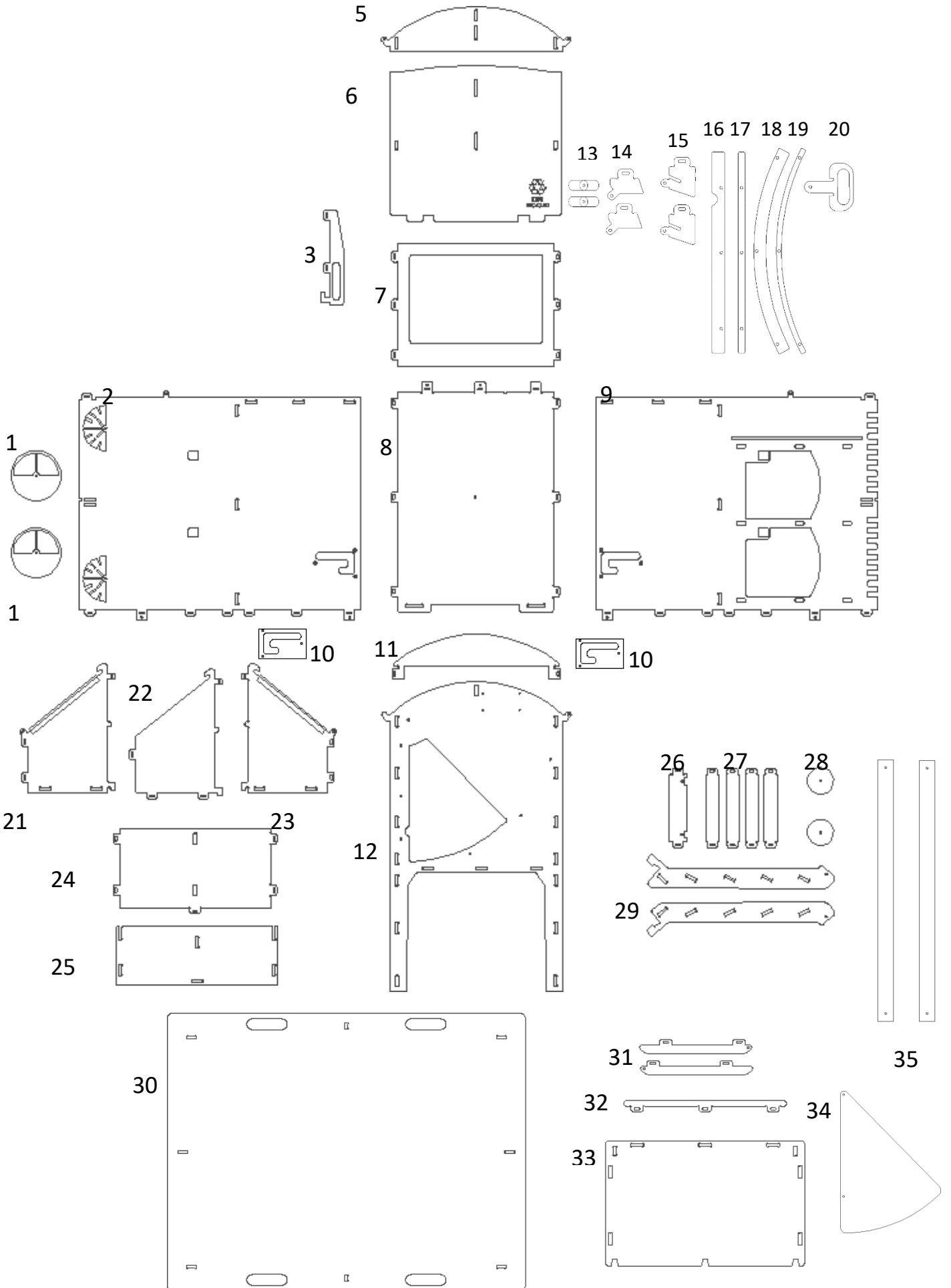
# Raised House Components

1. Vent covers
2. Right side wall (Vent side)
3. Back door handle
4. Lower back wall brace (only for Large)
5. Upper back wall
6. Back door
7. Lower back wall
8. Base
9. Left hand side wall (Nest Box side)
10. Axle support plates
11. Roof support
12. Front panel
13. Mesh locking lugs
14. Side roof retainers
15. Front roof retainers
16. Large straight doorretainer
17. Small straight doorretainer
18. Large curved door retainer
19. Small curved door retainer
20. Handle
21. Left hand Nest Box wall
22. Nest Box divider (not for Small)
23. Right hand Nest Box wall
24. Nest Box floor
25. Nest Box front wall
26. Ladder top step
27. Ladder steps
28. Buffer wheels
29. Ladder sides Left/Right hand
30. Roof
31. Nest Box side brace
32. Nest Box front brace
33. Nest Box roof
34. Metal door
35. Perch

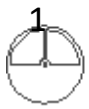
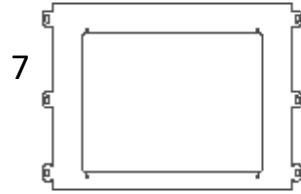
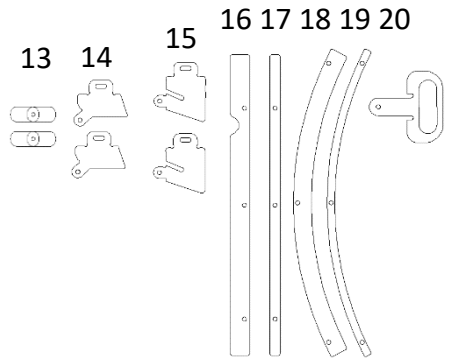
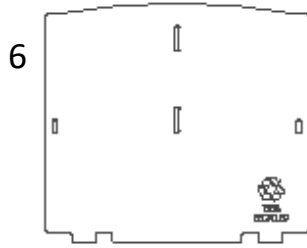
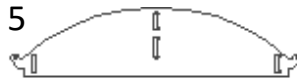
# Large Raised Coop



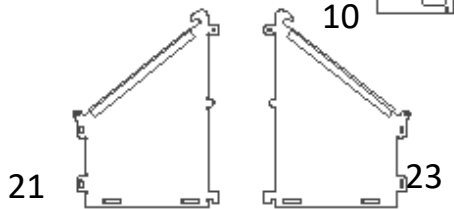
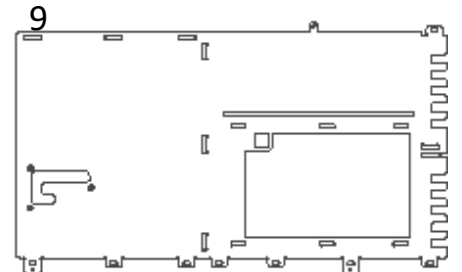
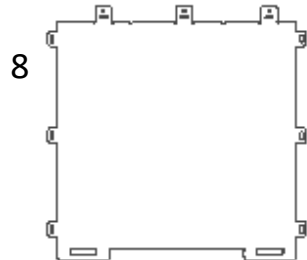
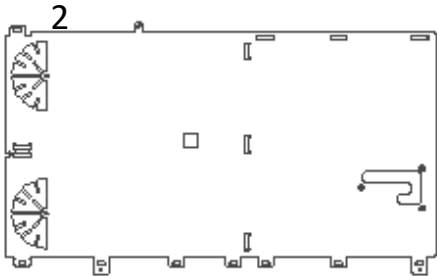
# Medium Raised Coop



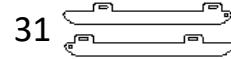
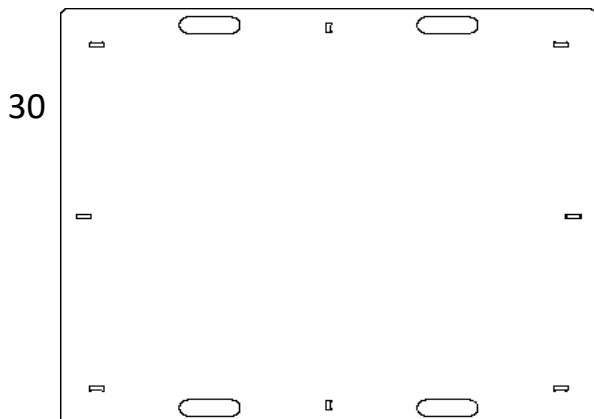
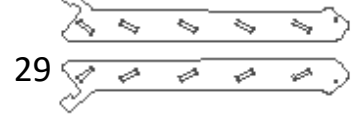
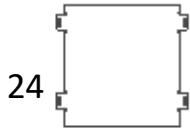
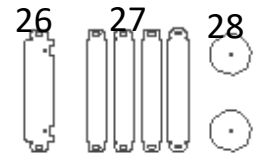
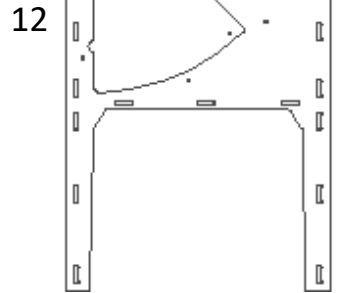
# Small Raised Coop



1



10

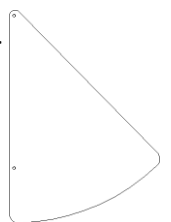
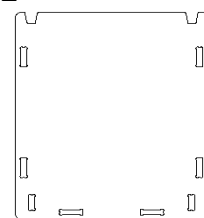


35



34

22



# Fixing Pack

You only need to lift the ring slightly up from the bar. Linchpins are designed to spring closed, so watch your fingers!

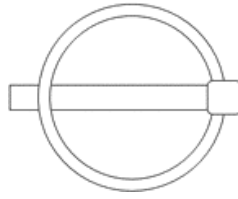
Pi Clip



Large Qty 74

Medium Qty 68

Small Qty 61



Linchpins

Large Qty 19

Medium Qty 19

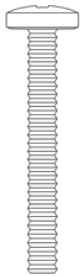
Small Qty 16



Cord

148cm long

Qty 1



40mm Screw

Qty 3



30mm Screw

Qty 15



20mm Screw

Qty 1



25mm Washer

Qty 3



Standard Washers

Qty 23



Nyloc Nut

Qty 19



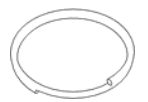
Clevis Pin 25mm

Qty 2



Clevis Pin 20mm

Qty 1



Split Ring

Qty 1

Not to Scale.

## RECYCLED & RECYCLABLE

Products from Nestera are made from recycled materials, wherever possible. Where this is not practical, we always try to use materials that are suitable for recycling.

Our plastic is made from recycled industrial waste plastic. By choosing Nestera products, rather than those made from virgin plastic, you are helping to restrict the amount of new plastic being made. We recycle all our waste plastic (our Pi Clips are made from our own waste) and, of course, our products themselves can be recycled (if they ever wear out!).

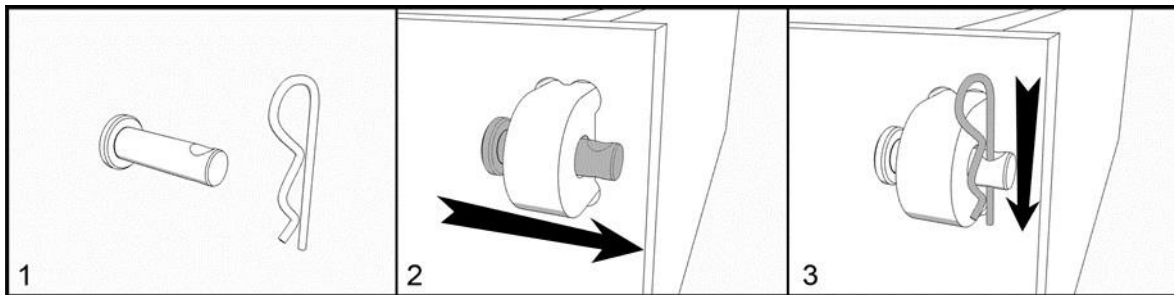
The recycled plastic we use is quite tough but as easily worked as wood. There is no need for preservative treatment with insecticides or fungicides, and structures won't splinter or crack, so they retain their structural integrity. The plastic is resistant to UV light, so it retains its colour, and is mostly impervious to atmospheric pollutants and seasonal climatic actions, such as freeze-thaw. It insulates well and is resistant to chewing. These properties mean it retains its appearance, colour and functionality for far longer than timber.

The sheets of recycled plastic have a very uniform thickness, and so are ideally suited to our high-technology manufacturing process, which uses computer-controlled machines to cut shapes to accuracies less than 0.1mm.

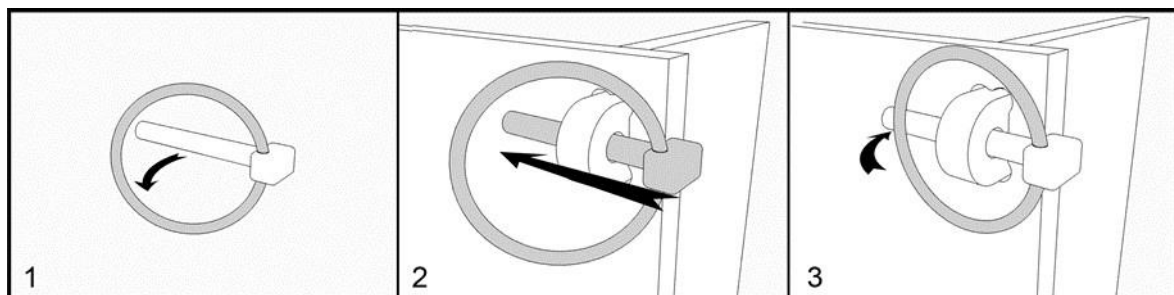
We use some metal components to fix some parts together. The metals used are either stainless steel or other rust-resistant alloy, so they have a long lifetime and are also suitable for recycling.

Our packaging and literature are all made from recycled materials wherever possible.

### HOW TO FIT A CLEVIS PIN (IF USED)

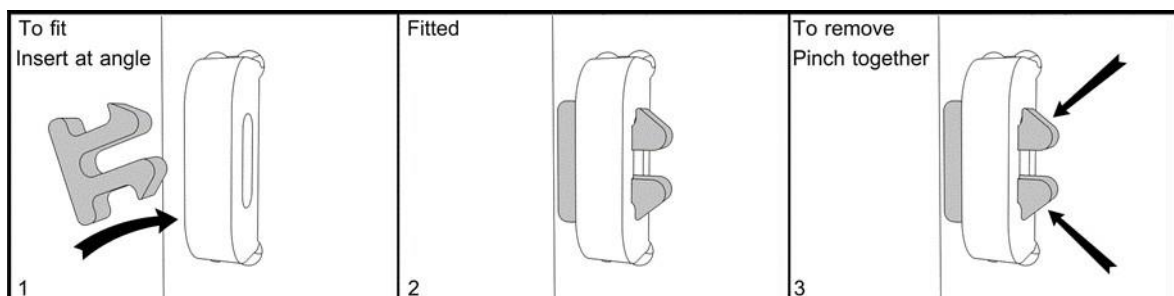


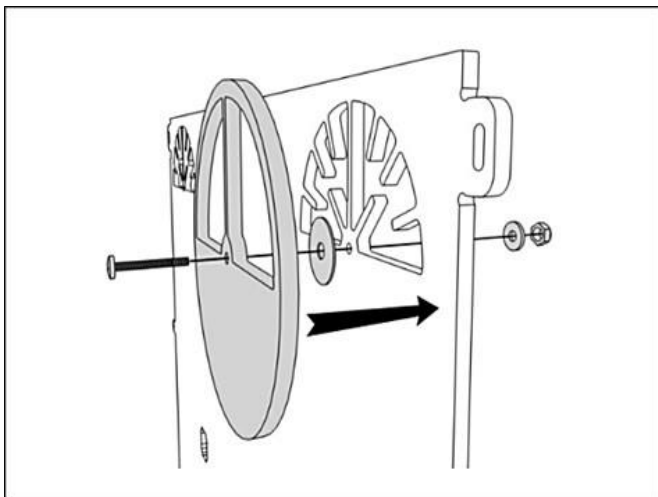
### HOW TO FIT A LINCHPIN (IF USED)



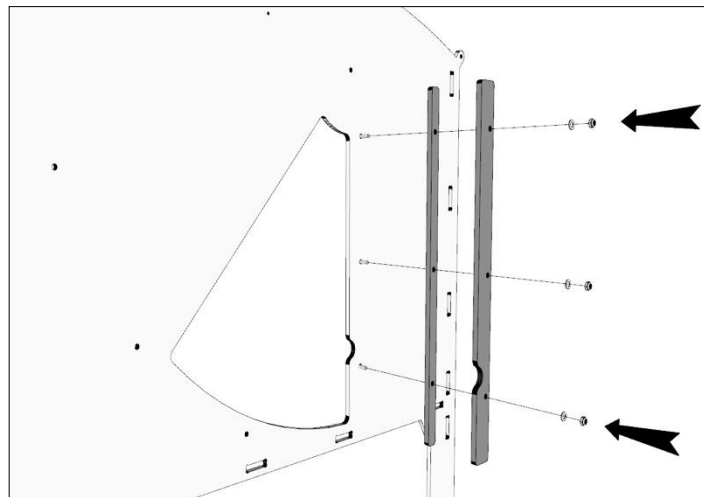
You only need to lift the ring slightly up from the bar. Linchpins are designed to spring closed, so watch your fingers!

### HOW TO FIT AND REMOVE A PI CLIP

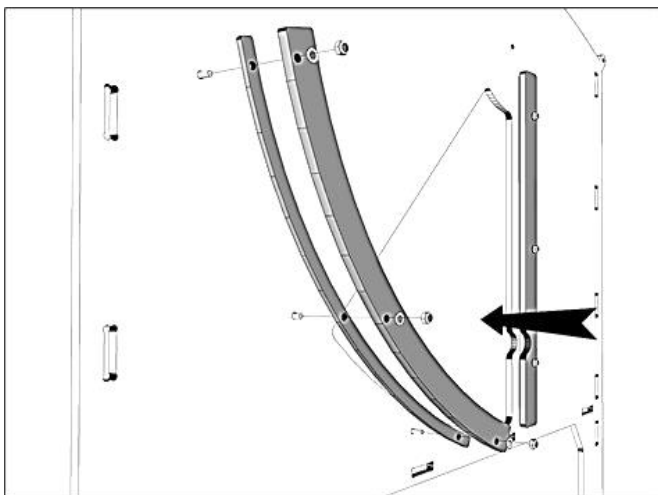




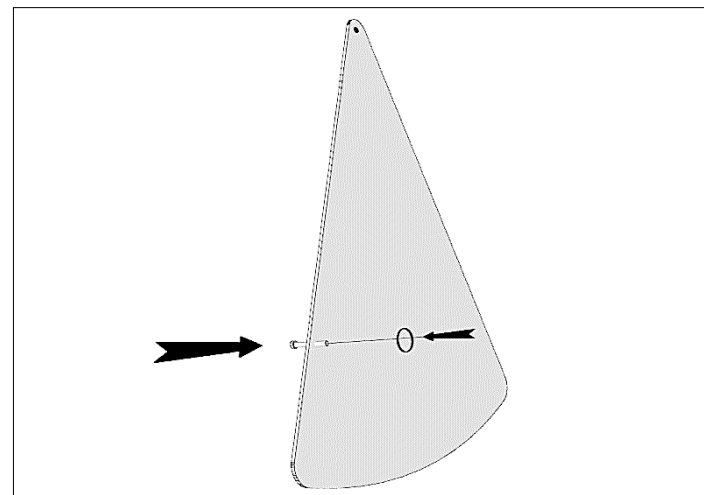
**1** Fit two Vent covers to the textured face of the right Side Wall each using 1 x M6x30mm screw, 1 x standard washer, 1 x 25mm washer and 1 x nyloc nut. Tighten the nuts until the Vents can rotate using gentle pressure. They should not spin freely. The left Side Wall has Vent slots to ensure the chickens always have fresh air.



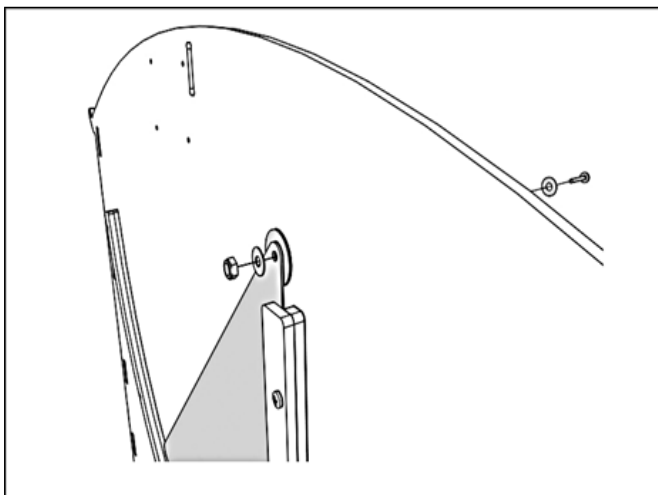
**2** Fit the Small and Large Straight Door Retainer to the smooth (inside) side of the Front Wall using 3 x 40mm Screws, 3 x standard washers and 3 x nyloc nuts.



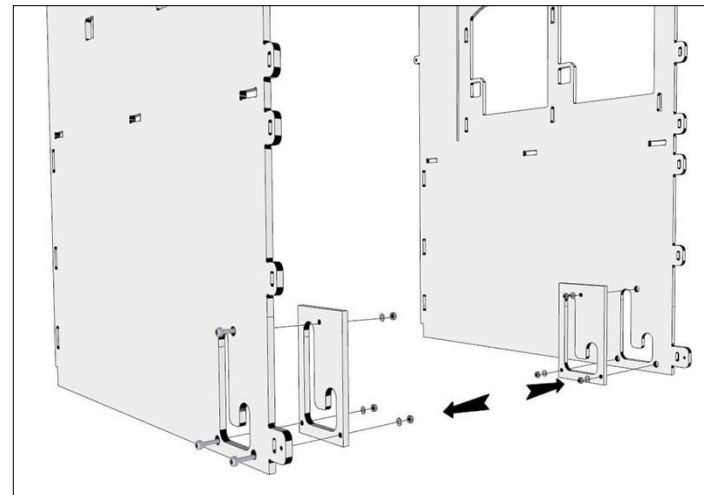
**3** Fit the Small and Large Curved Door Retainer to the smooth (inside) side of the Front Wall using 3 x 30mm screws, 3 x standard washers, and 3 x nyloc nuts. These pieces form a recess into which the door fits when closed.



**4** Fit the Small Clevis Pin into the hole in the Metal Door from behind and secure it using a washer and split ring. We find that holding the split ring open by inserting a flat-head screwdriver between the rings can make this task easier. Please mind your fingers!



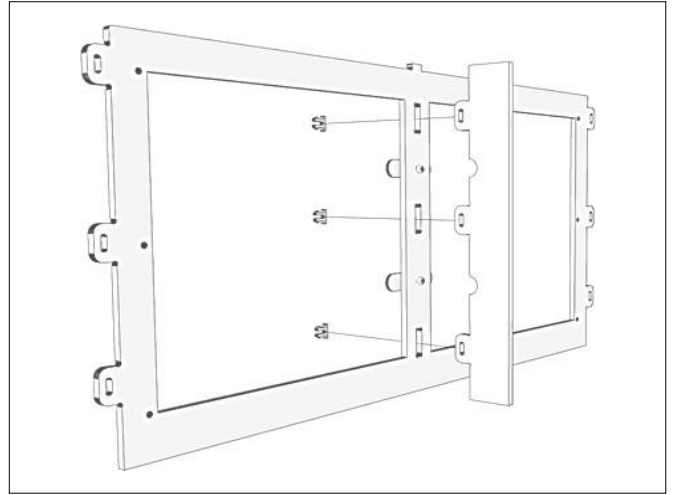
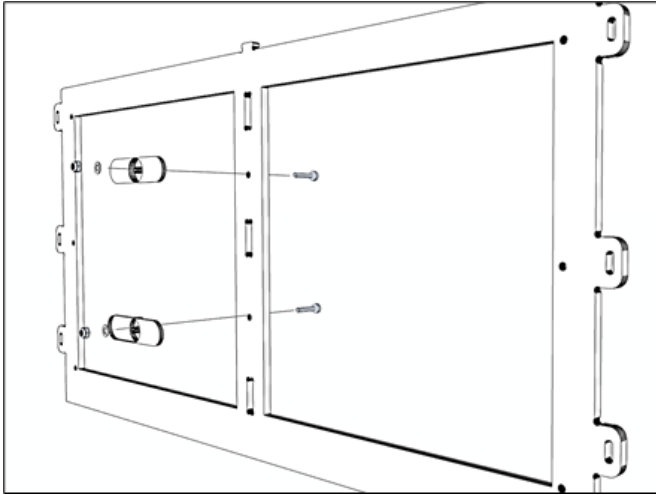
**5** Place the Metal Door in position and secure it with a 20mm screw, 2 x standard washers, 1 x 25mm Washer and a nyloc nut. Tighten the nyloc nut until the door can rotate freely.



**6** Fit the axle support plates to the internal of the Side Walls (smooth side) using 3 x 30mm screws, 3 x standard washers and the 3 x nyloc nuts per side. The 30mm bolts are pushed through the outside face so they sit flush with it.

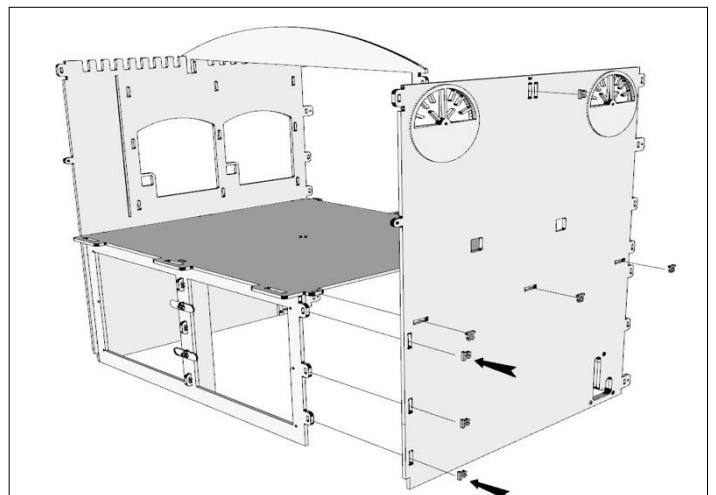
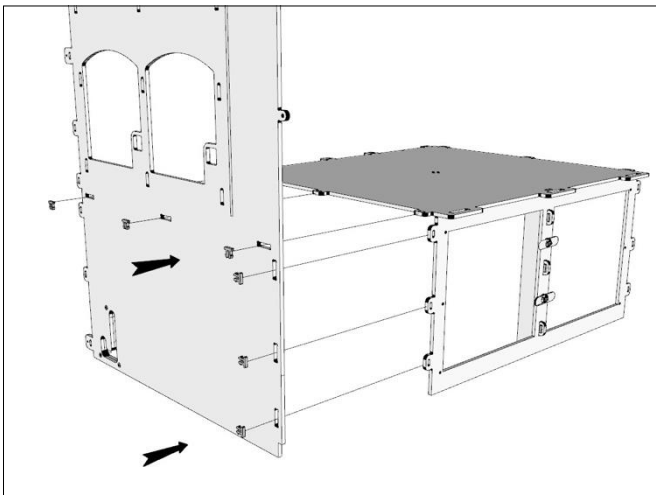


# Large Raised Coop



**7** Fit the mesh locking lugs to the textured side of the lower Back Wall, with the flat surface of the lug facing outwards using 2 x 30mm screws, 2 x standard washers and 2 x nyloc nuts. Tighten until the locking lugs have some resistance when turned 90-degrees.

**8** Push the lower Back Wall brace through the centre of the base brace and attach using 3 x Pi Clips. Fit to the opposite side from the mesh locking lugs.

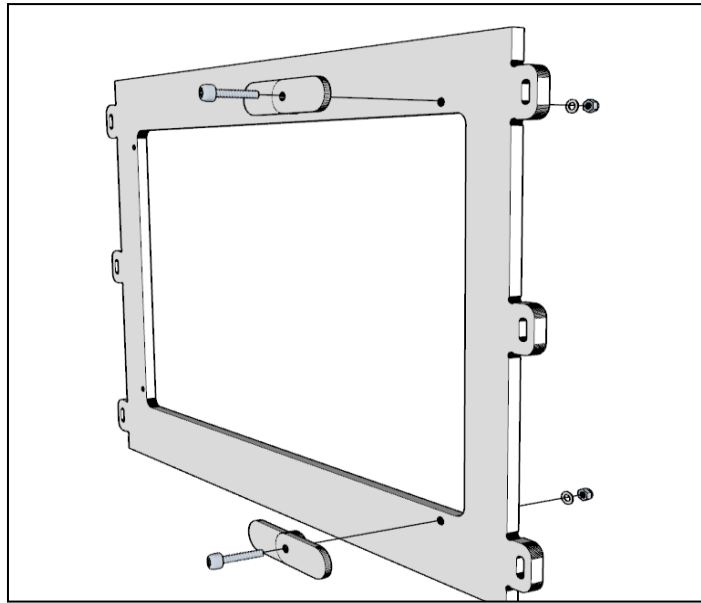


**9** Fit the Nest Box Side Wall to the Lower Back Wall and Base using 6 x Pi Clips. Ensure that the double-hole lugs are at the front.

**Note: The base is to be fitted smooth side up.**

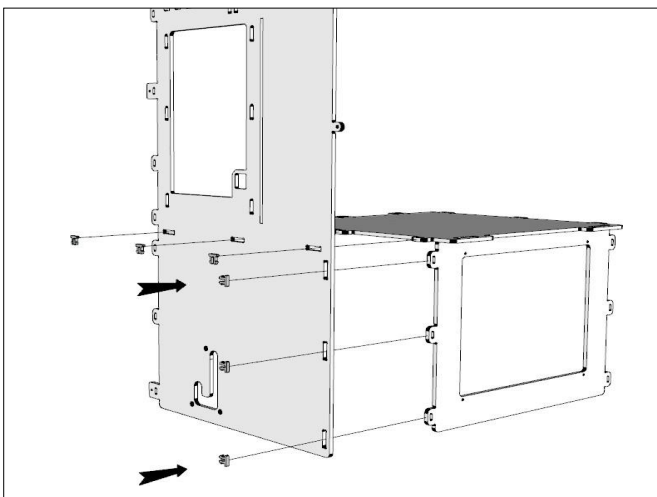
**10** Fit the Side Wall (with vent covers) to the base and back wall and attach the Roof Support to the top centre slot with another slot above it using 8 x Pi Clips.

# Medium & Small Raised Coop



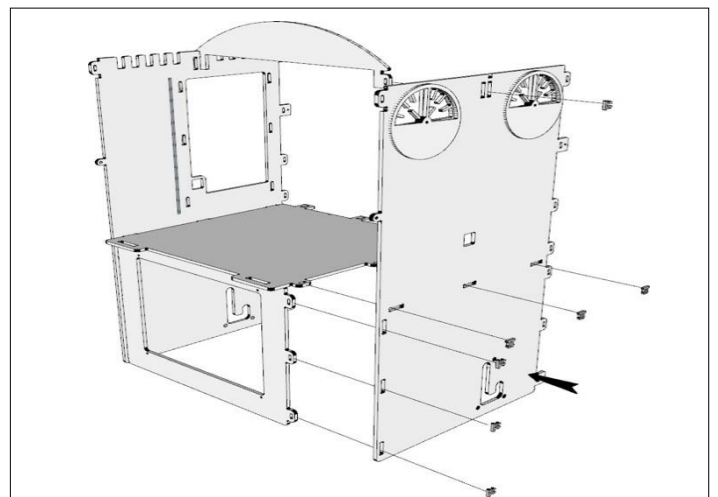
7 Fit the mesh locking lugs to the textured side of the Lower Back Wall, with the flat surface of the lug facing outwards using 2 x 30mm screws, 2 x standard washers and 2 x nyloc nuts. Tighten until the locking lugs have some resistance when turned 90-degrees.

## Note: No step 8 for Medium & Small Raised Coops

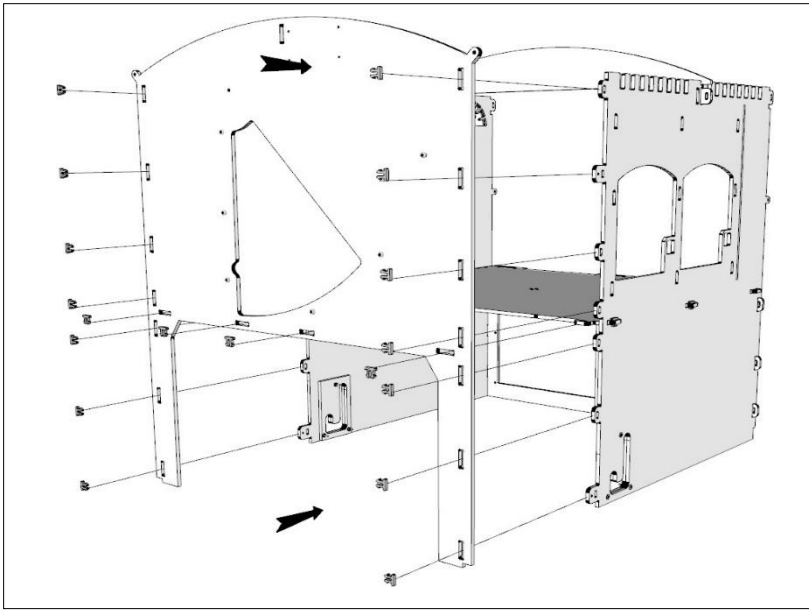


9 Fit the Nest Box Side Wall to the Lower Back Wall and Base using 6 x Pi Clips. Ensure that the double-hole lugs are at the front.

**Note: The base is to be fitted smooth side up.**

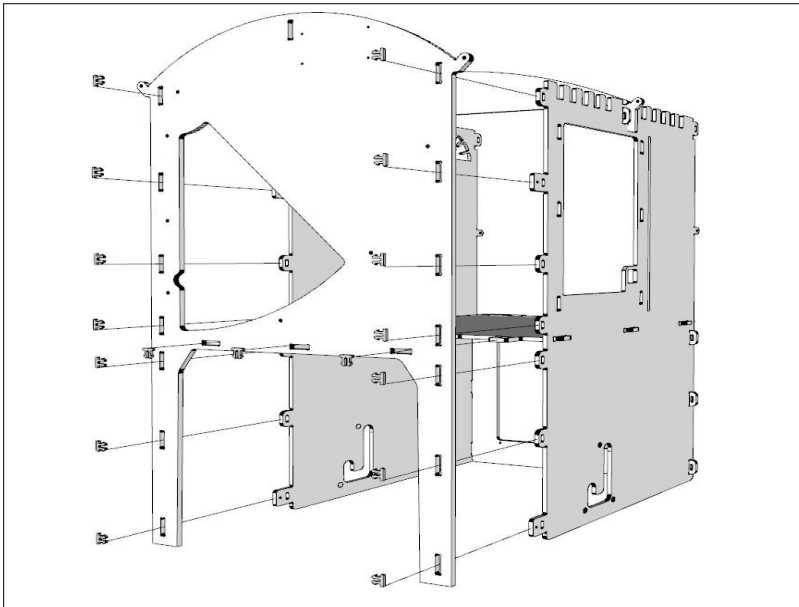


10 Fit the Side Wall (with Vent covers) to the base and Back Wall and attach the Roof Support to the top centre slot with another slot above it using 8 x Pi Clips.



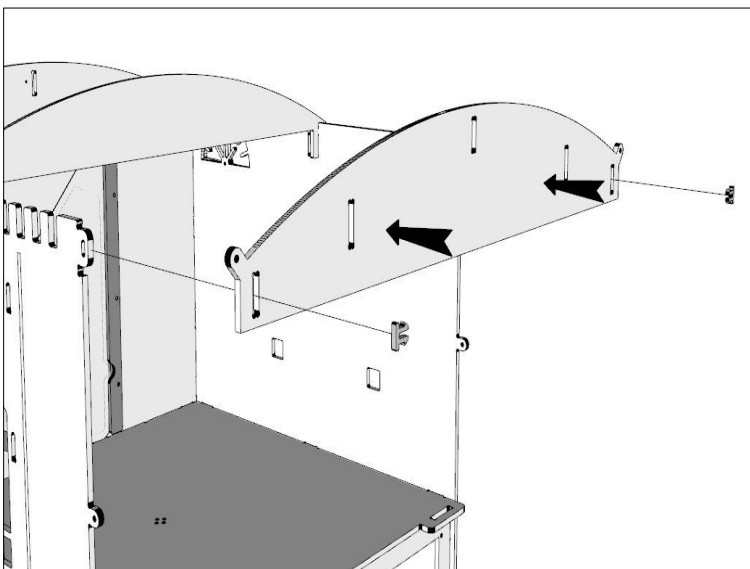
## Large Raised Coop

11 Fit the Front Wall (textured side facing out) to the end with the double-hole lugs using 18 x Pi Clips.



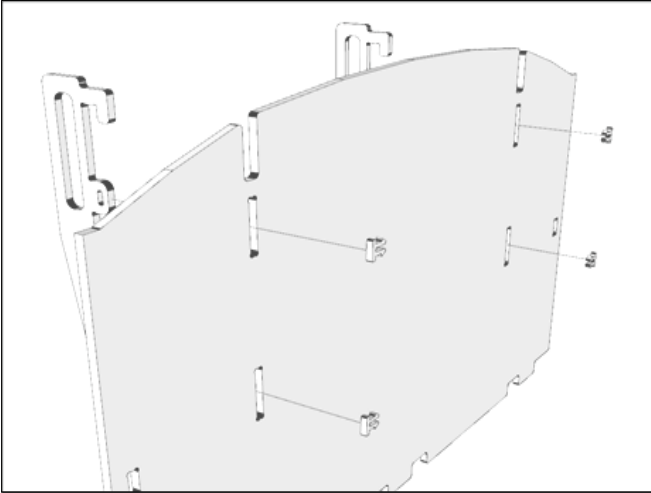
## Medium & Small Raised Coops

11 Fit the Front Wall (textured side facing out) to the end with the double-hole lugs using 17 x Pi Clips.

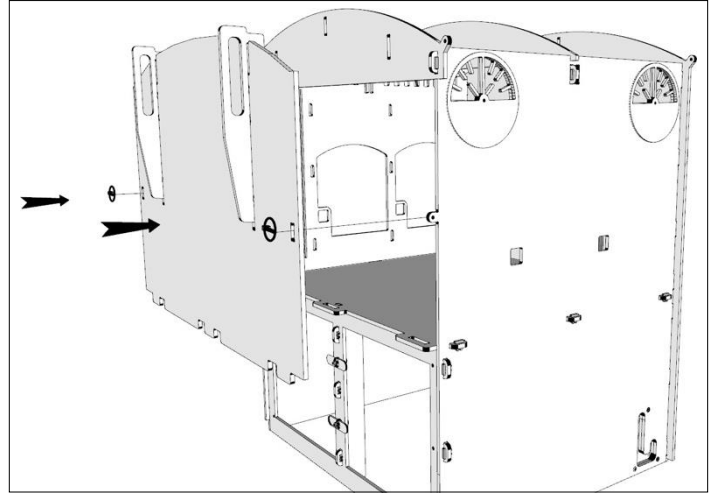


12 Fit the Upper Back Wall to the top two lugs using 2 x Pi Clips.

## Large Raised Coop



13 Fit the Back Door Handles to the textured side of the back door using 2 x Pi Clips per Handle. Hook on handle denotes the top.

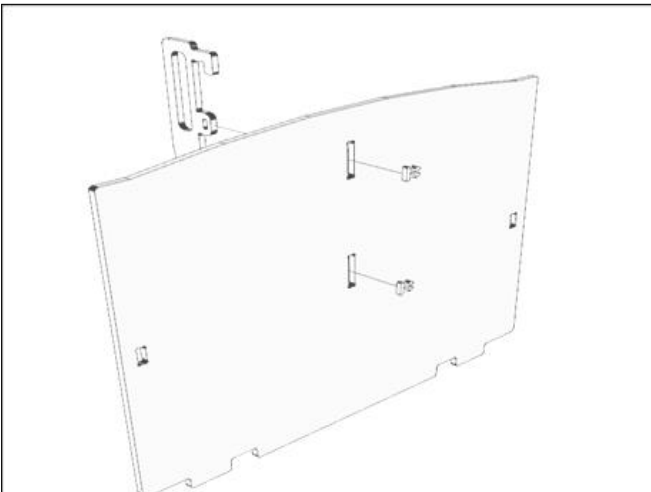


14 Fit the Back Door using 2 x Linchpins. When fitting, rest the bottom of the Back Door in the slots in the Base, then push the door onto the lugs, and slide the Back Door Handles downwards. Secure with Linchpins.

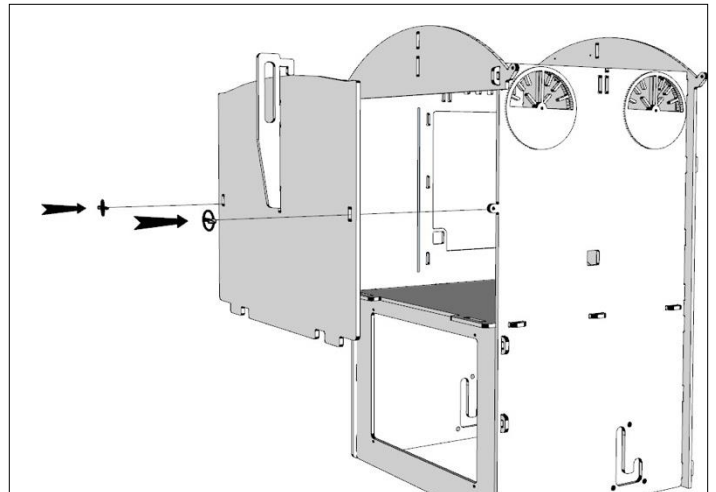
**You only need to lift the ring slightly up from the bar. Linchpins are designed to spring closed, so watch your fingers!**

---

## Medium & Small Raised Coops

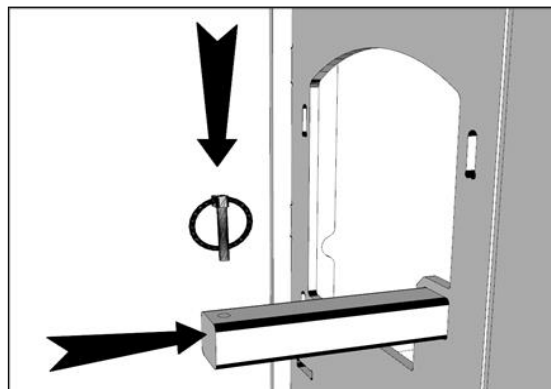


13 Fit the Back Door Handle to the textured side of the back door using 2 x Pi Clips. The L-shape Hook on the handle denotes the top.



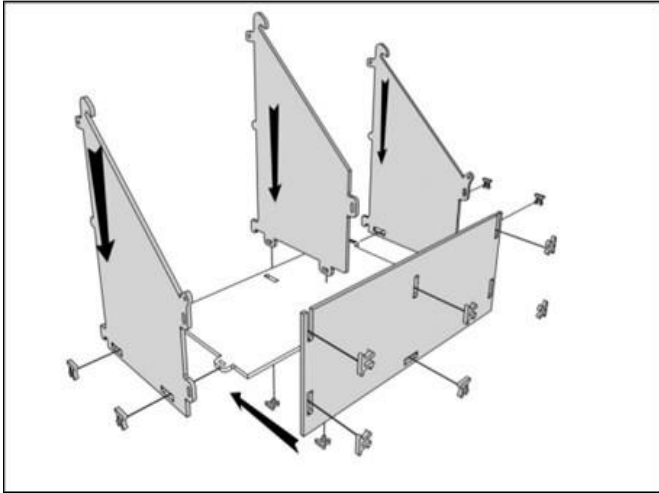
14 Fit the Back Door using 2 x Linchpins. When fitting, rest the bottom of the Back Door in the slots in the Base, then push the door onto the lugs, and slide the Back Door Handles downwards. Secure with Linchpins.

**You only need to lift the ring slightly up from the bar. Linchpins are designed to spring closed, so watch your fingers!**

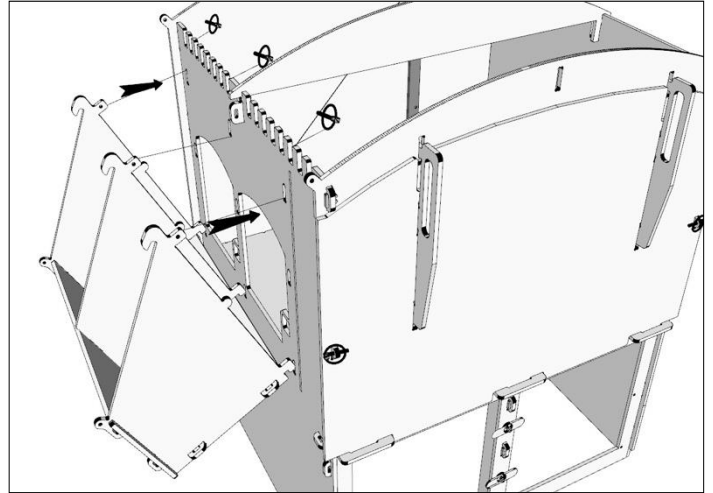


15 Slide the Perches through the Left and Right Side Walls and secure with Linchpins at both ends.

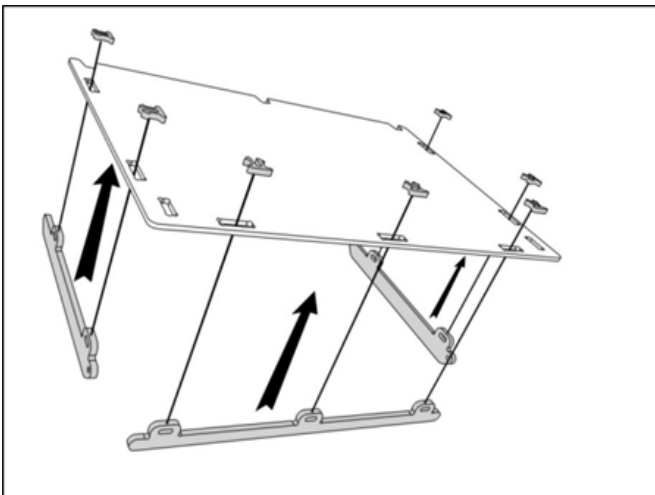
# Large & Medium Raised Coops



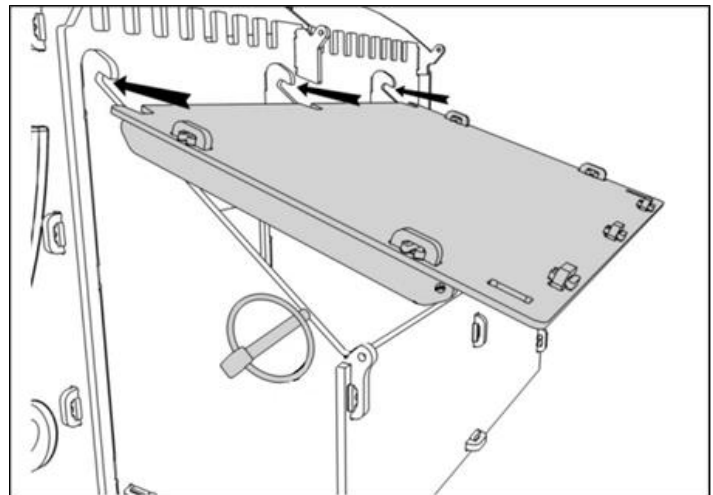
**16** Fit the Nest Box End Walls and Nest Box Divider to the Nest Box Floor, then add the Nest Box Front Wall, all using 12 x Pi Clips.



**17** Fit the Nest Box to the house by first inserting the L-lugs into the lower holes on the Right Side Wall, then tilting the Nest Box to push the 3 x upper lugs through their holes, before securing them inside the main house with 3 x Linchpins.

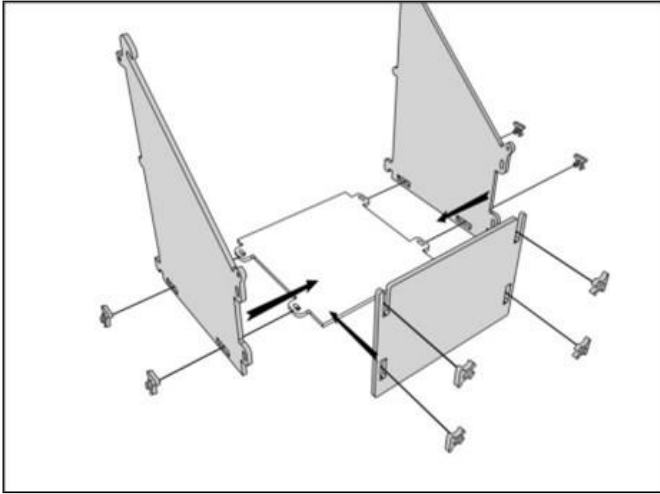


**18** Fit the Nest Box Front Brace and the 2 x Nest Box Side Braces to the Nest Box Lid (with textured side facing upwards) using 7 x Pi Clips.

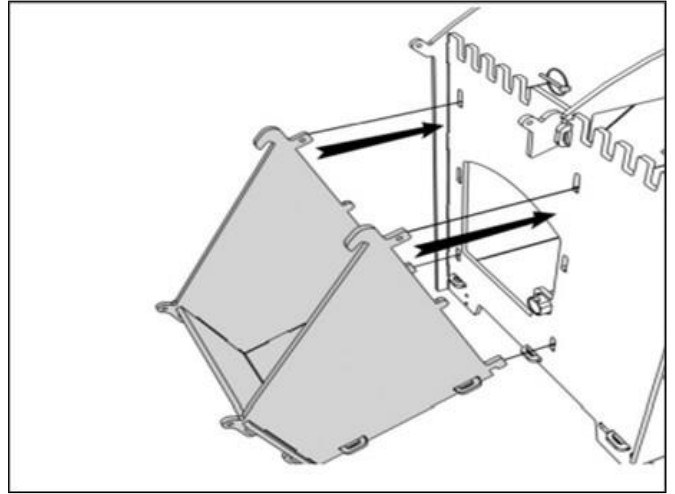


**19** The Nest Box Lid simply slides upwards so that the cutouts fit into the recesses in the vertical panels. It is secured with 2 x Linchpins.

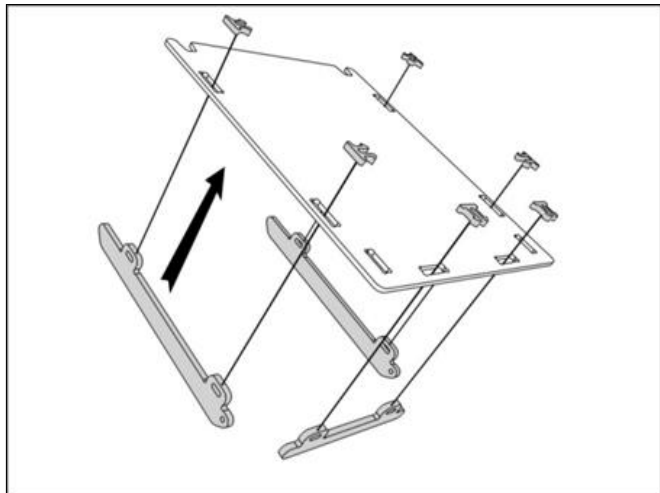
## Small Raised Coop



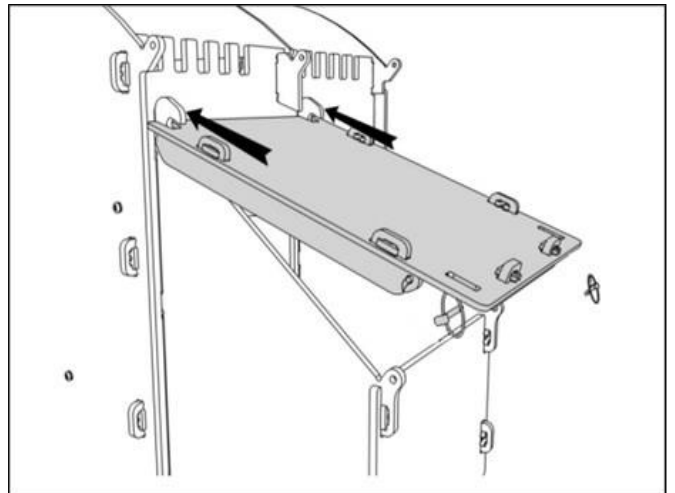
**16** Fit the Nest Box End Walls and Nest Box Divider to the Nest Box Floor, then add the Nest Box Front Wall using 8 x Pi Clips.



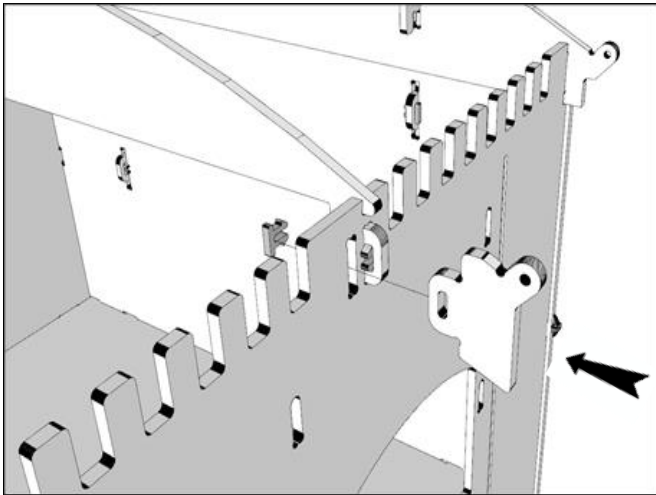
**17** Fit the Nest Box to the house by first inserting the L-lugs into the lower holes on the Right Side Wall, then tilting the Nest Box to push the two upper lugs through their holes, before securing them inside the main house with 2 x Linchpins.



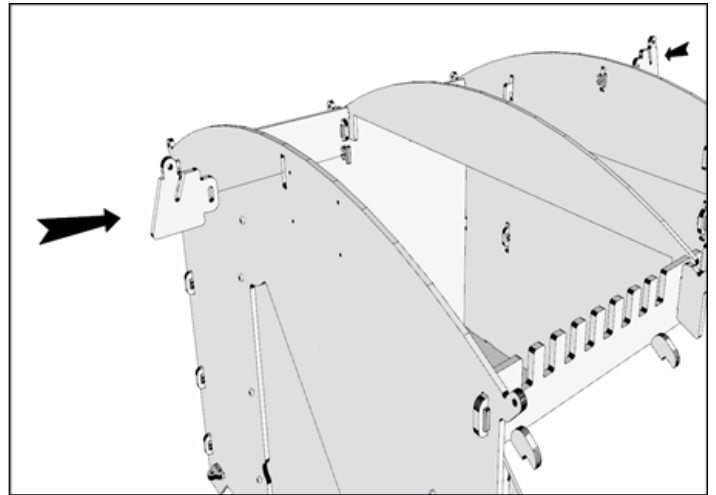
**18** Fit the Nest Box Front Brace and the two Nest Box Side Braces to the Nest Box Lid (textured side upwards) using 6 x Pi Clips.



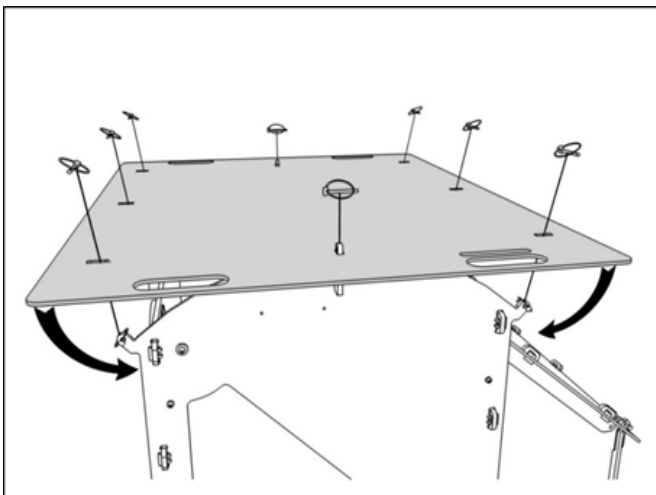
**19** The Nest Box Lid simply slides upwards so that the cutouts fit into the recesses in the vertical panels. It is secured with 2 x Linchpins.



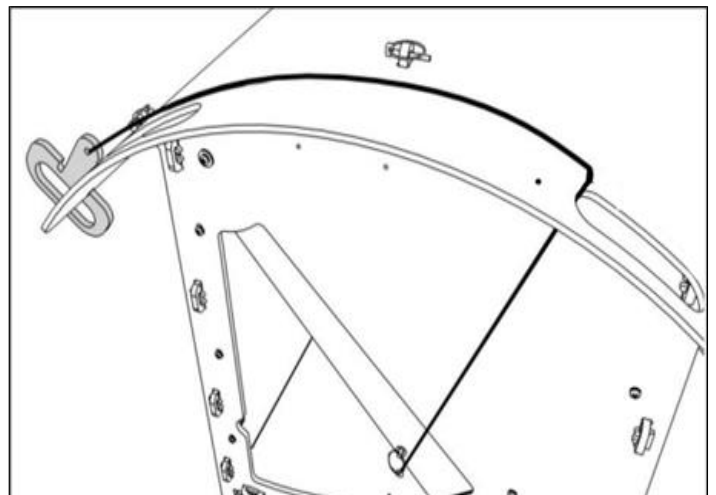
20 Fit 2 x Side Roof Retainers, one on each Side Wall using 1 x Pi Clip.



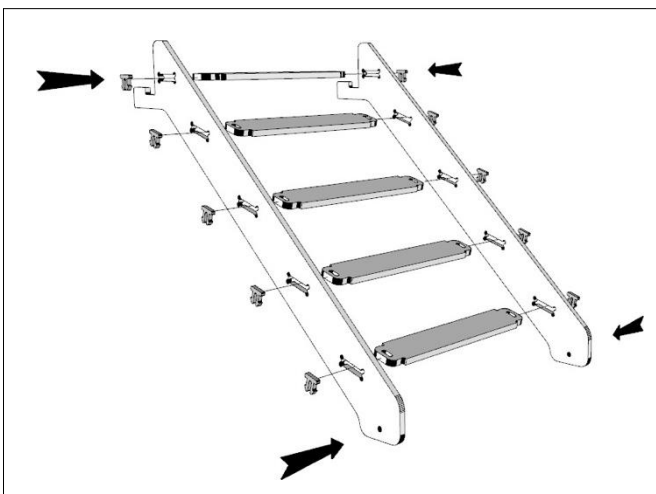
21 Fit End Roof Retainers to the Front Wall and Upper Back Wall using 1 x Pi Clip.



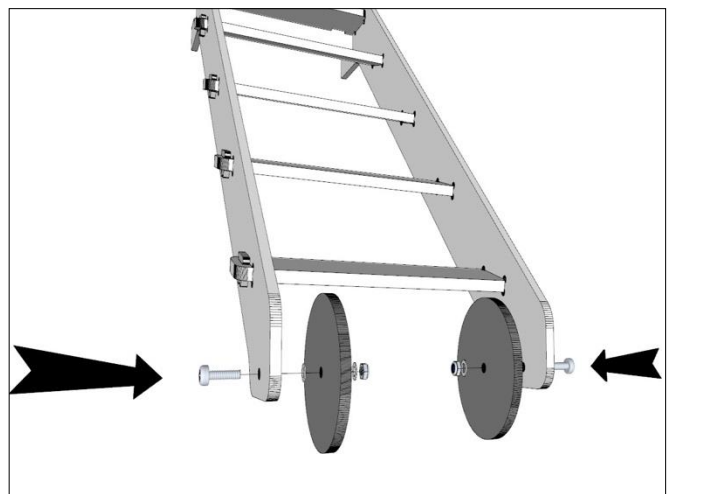
22 Fit the Roof using Linchpins. Fix the centre first, then bend the sides down over the remaining lugs.



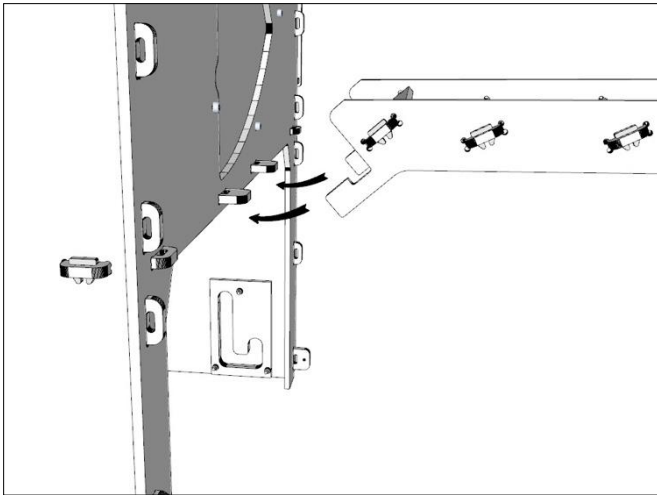
23 MANUAL DOOR ONLY: Tie one end of the Cord to the Split Ring in the Front Door and the other to the small hole in the Door Handle. The Cord should pass through the handle slot. Adjust the length of the cord so when the door is fully raised, the handle hooks into the edge of the opposite handhold or the roof edge.



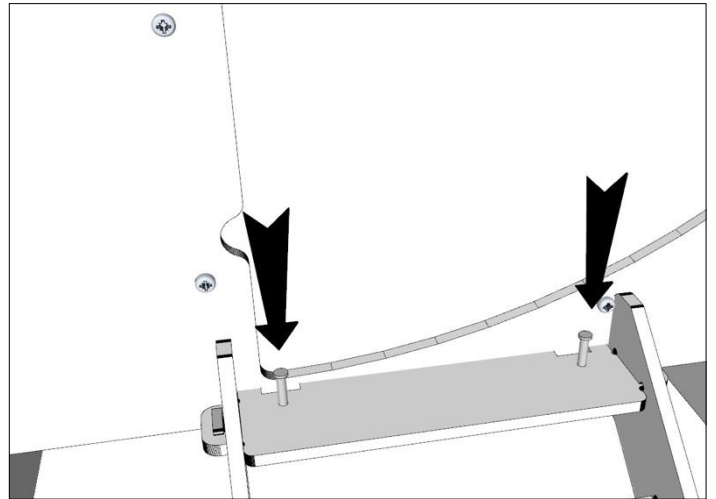
24 Fit the steps into the Ladder sides using 10 x Pi Clips. The step with two cutouts is the top step. This is to be fitted near the L-shape hook on the side ramp wall.



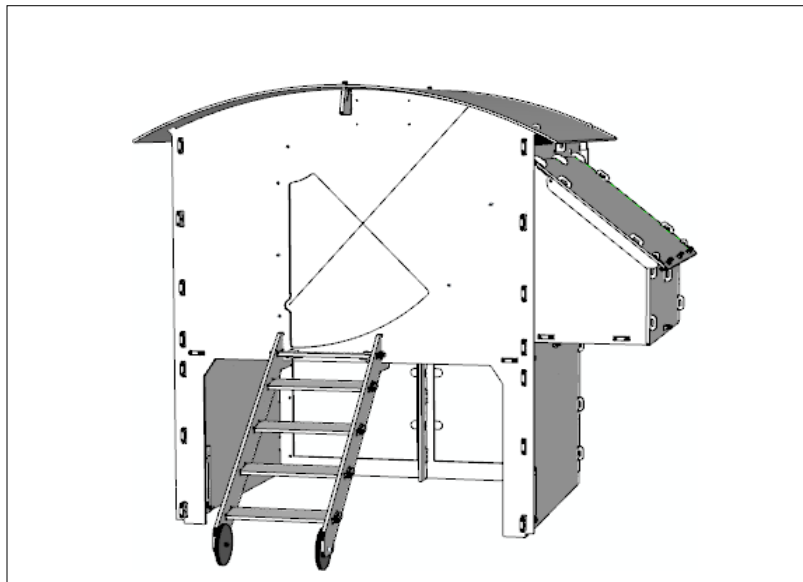
25 Fit the Buffer Wheels to the inside ladder walls using 1 x 30mm screw, 1 x standard washer then Buffer Wheel, followed by another standard washer and 1 x nyloc nut. Repeat for the other side. Tighten until the Buffer Wheel spins freely.



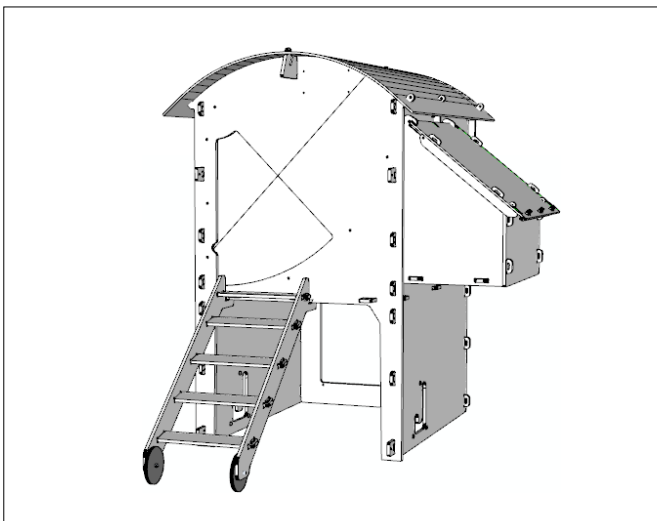
26 Fit the Ladder by sliding the L-shape hook under the coop with the top step sitting on top of the two lugs with holes.



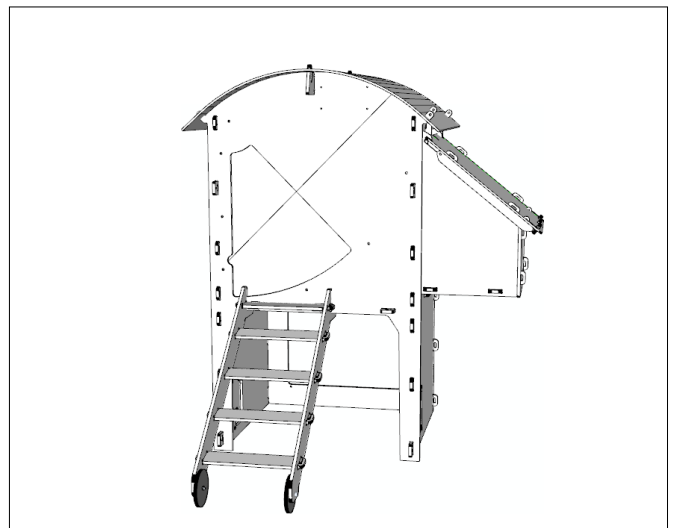
27 When the Ladder is in position, push the 2 x 25mm Clevis pins into the holes provided.



Completed Large Raised Coop



Completed Medium Raised Coop



Completed Small Raised Coop



## INSTRUCTIONS FOR USE

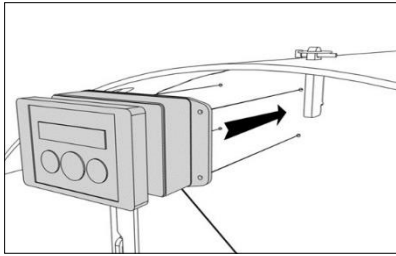
The chicken coop should be sited in a sheltered area with the front facing away from prevailing winds. Vents should be adjusted to provide good ventilation. The rear door can be used for inspection and/or regular cleaning. For thorough cleaning and replacing of bedding, the entire roof can be removed.

This chicken coop is designed to be moved by two people using the handholds cut into the roof.

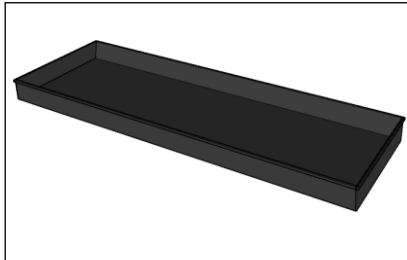
We recommend thorough cleaning at least every three months – a pressure washer is ideal for removal of caked-on dirt, but an ordinary hosepipe and scrubbing brush will do. The plastic is quite easy to clean. Finish by applying Poultry Shield (or similar) and leave to dry.

For additional protection against red mite, we recommend sprinkling a little diatomaceous earth (Diatom powder) around the coop, particularly the joints, each time bedding is refreshed.

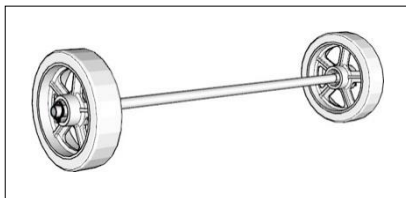
## Accessories for your chicken coop



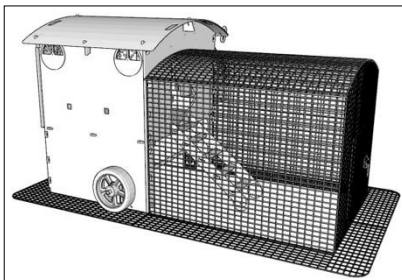
The Chicken Guard automatic door opener attaches to the front of your chicken coop, allowing you to set a time for opening and closing the door automatically.



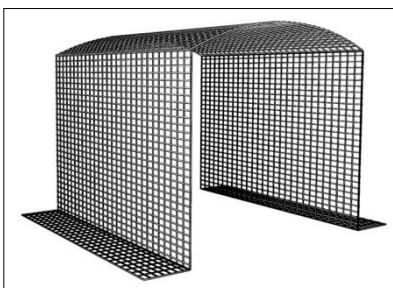
If you use shavings as bedding material, we recommend that you use droppings trays to contain the shavings. They keep the shavings drier and make cleaning the coop simply a matter of removing the trays and tipping the shavings onto your compost heap.



Add a wheel set to your chicken coop. This allows one person to move the coop around your garden with ease.



To complete your raised chicken coop, attach our chicken run for your chickens to explore secure from predators.



Give your chickens extra room to run around with our run extension kit, easily attaches to your existing run.

