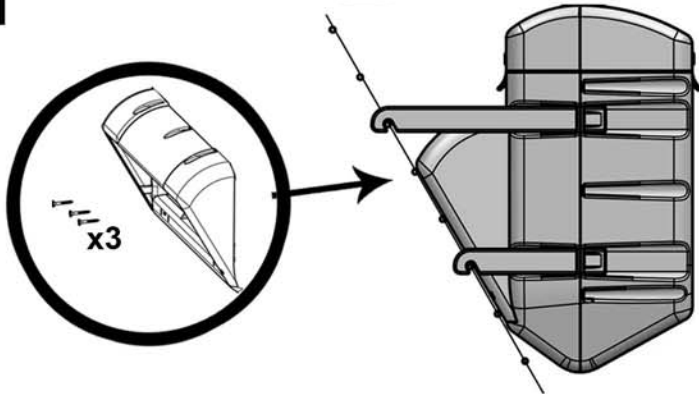


WISE

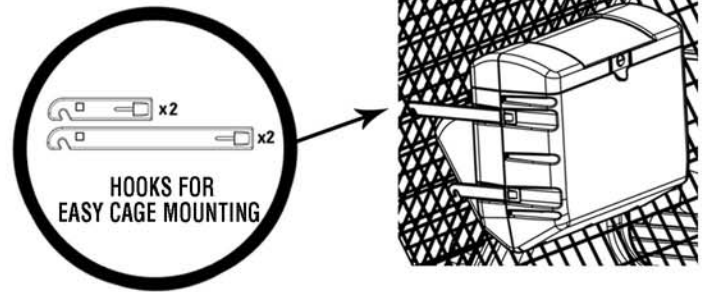
CAGE MOUNTED FEEDER FITTING INSTRUCTIONS

1



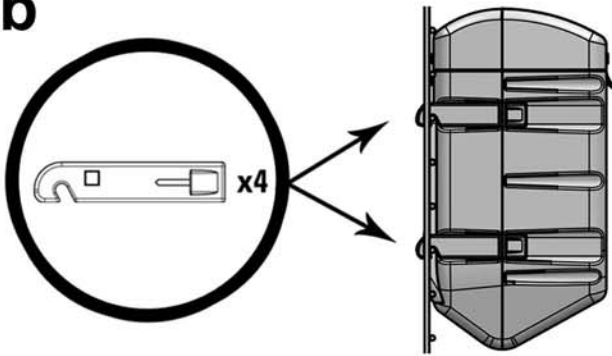
FOR ANGULAR CAGES; fit rain cover with the 3 screws provided.

2a



FOR ANGULAR CAGES; Use two large hooks and two small hooks to mount at correct height.

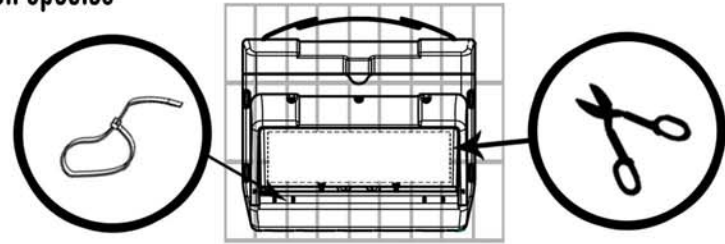
2b



FOR VERTICAL CAGES; use 4 small hooks for mounting at the correct height to place the feeder in position.
*The rain shield can be an optional fit, where needed.

3

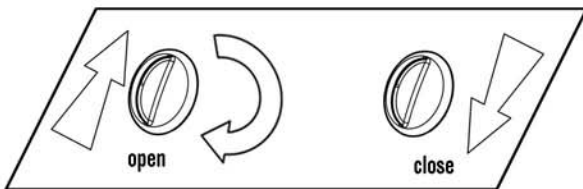
Fix approximately 150-250 cm from the floor level dependent on species



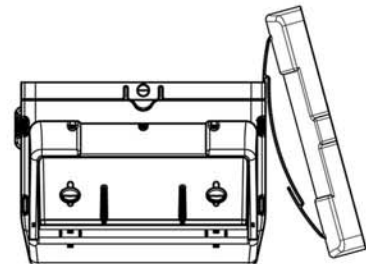
IMPORTANT

Only when the correct position is located cut the mesh to suit.
Tie-wraps can be used for additional securing if required.

You can adjust the feed level or completely close the feed



Loosen the thumb screws, adjust to desired height and then retighten



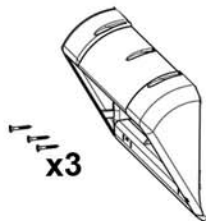
When filling you can hook the lid on the side.

Inside the Box

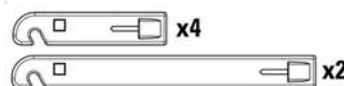
*Note, the small hooks may not reach some mesh sizes in which case use the tie wraps to additionally secure the cage feeder to the mesh. The tie wrap location slots are on each hook and also on the face of the feed area.



5kg Feeder with lid



Rain hood and screws



Arms



Tie wraps